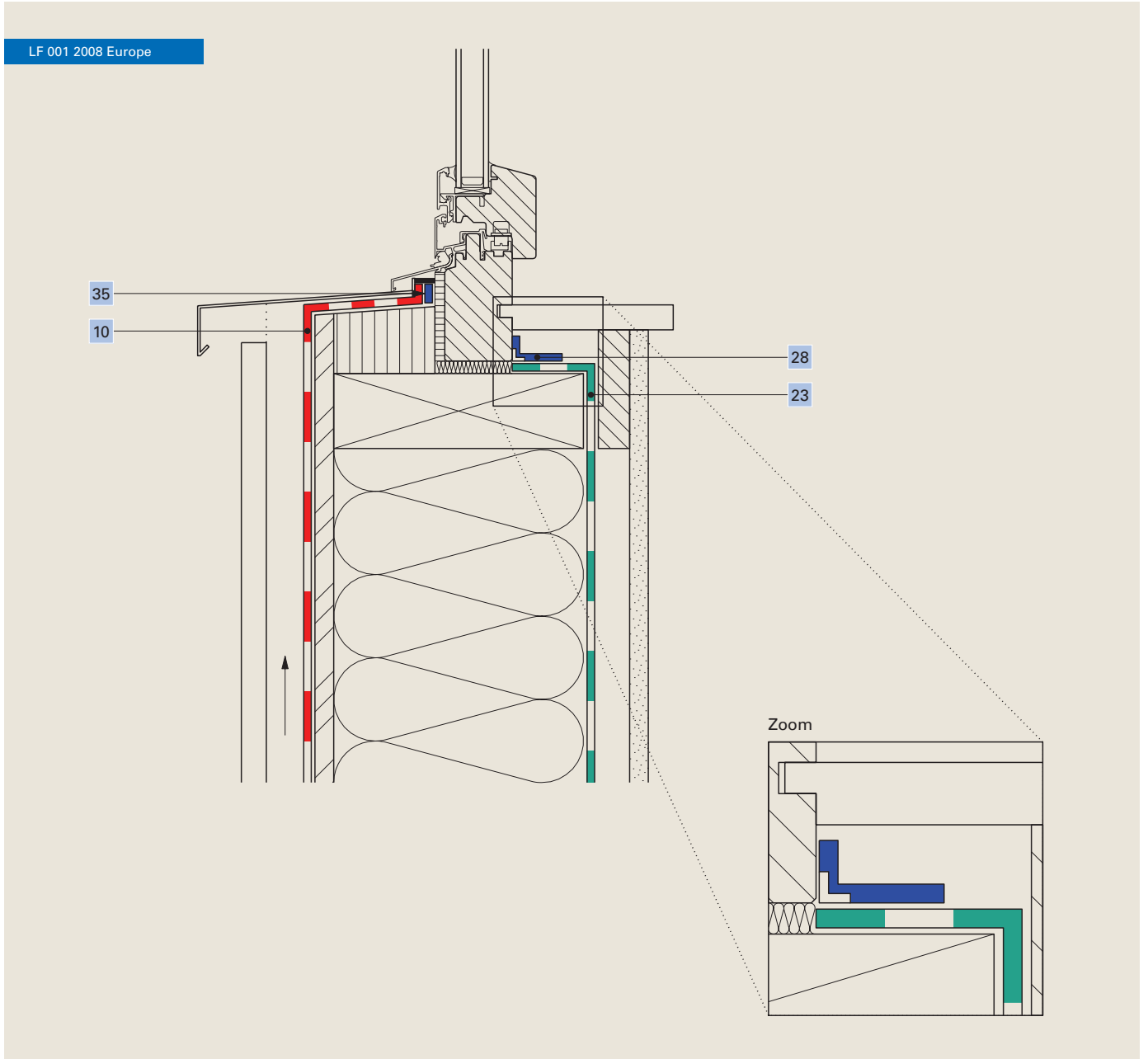


# Air tightness, window installation, parapet

Use of special tapes, wood construction

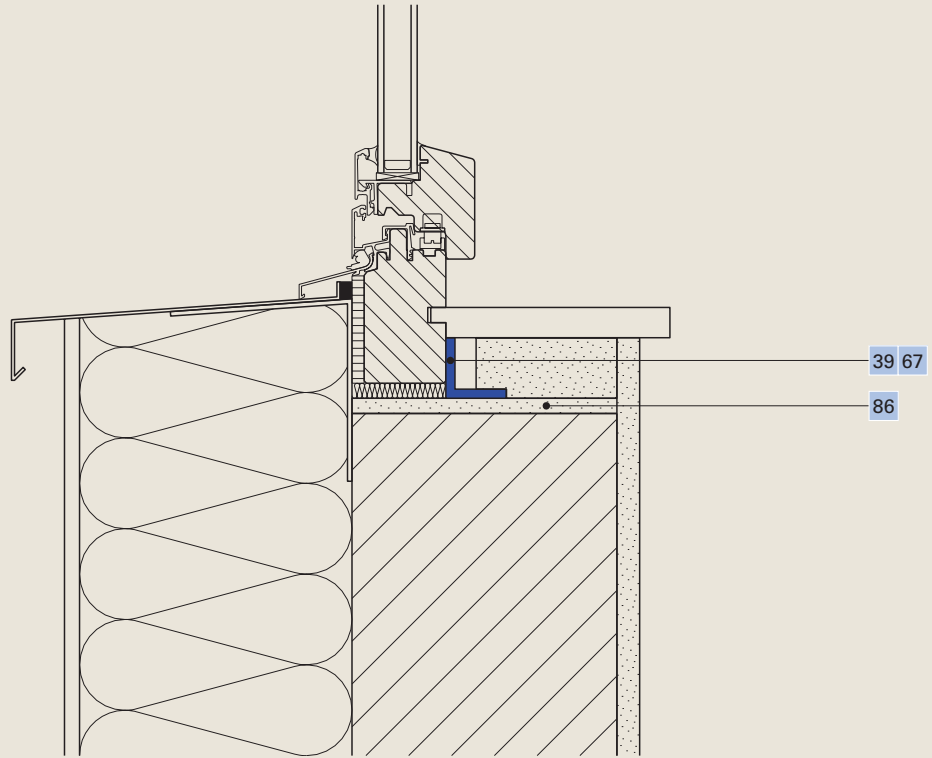


10	Wall membrane <b>Ampatop® Aero</b>	28	Adhesive tape <b>Ampacoll® FE</b>
23	Vapour check <b>Ampatex® DB 90</b>	35	Adhesive tape <b>Ampacoll® BK 530, 15 mm</b>

# Air tightness, window installation, parapet

Use of special tapes, masonry construction

LF 002 2008 Europe



39 67 Adhesive tape **Ampacoll® BK 535**, 80 mm/  
**Ampacoll® Connecto**

86 Smooth finish before fitting window

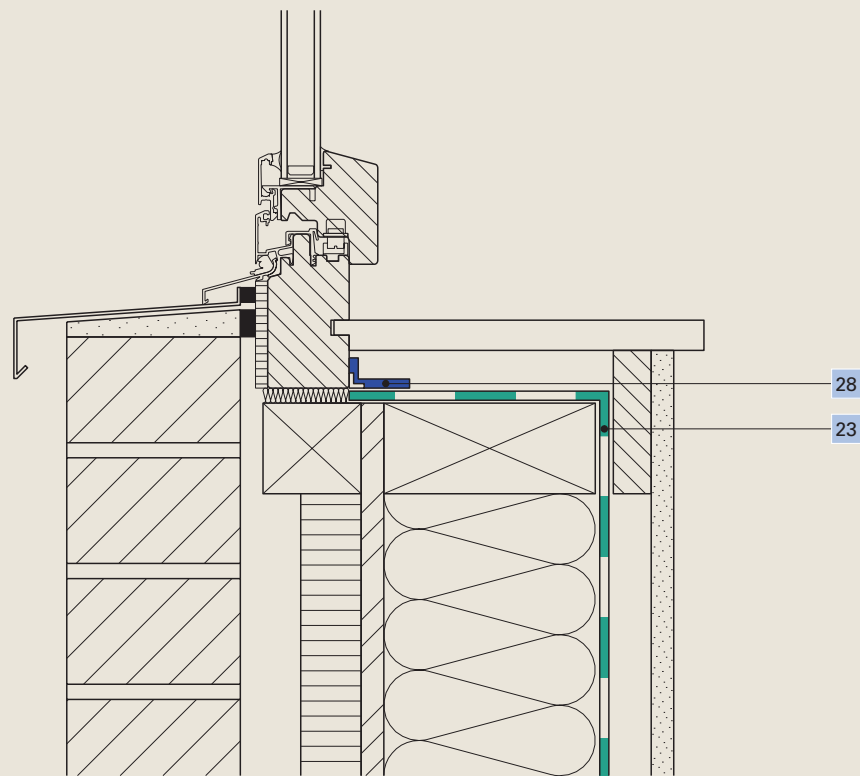
Ampack Switzerland:  
+41 (0)71 858 38 00  
www.ampack.eu



# Air tightness, window installation, parapet

Wood construction with clinker façade

LF 003 2008 Europe



23 Vapour check **Ampatex® DB 90**

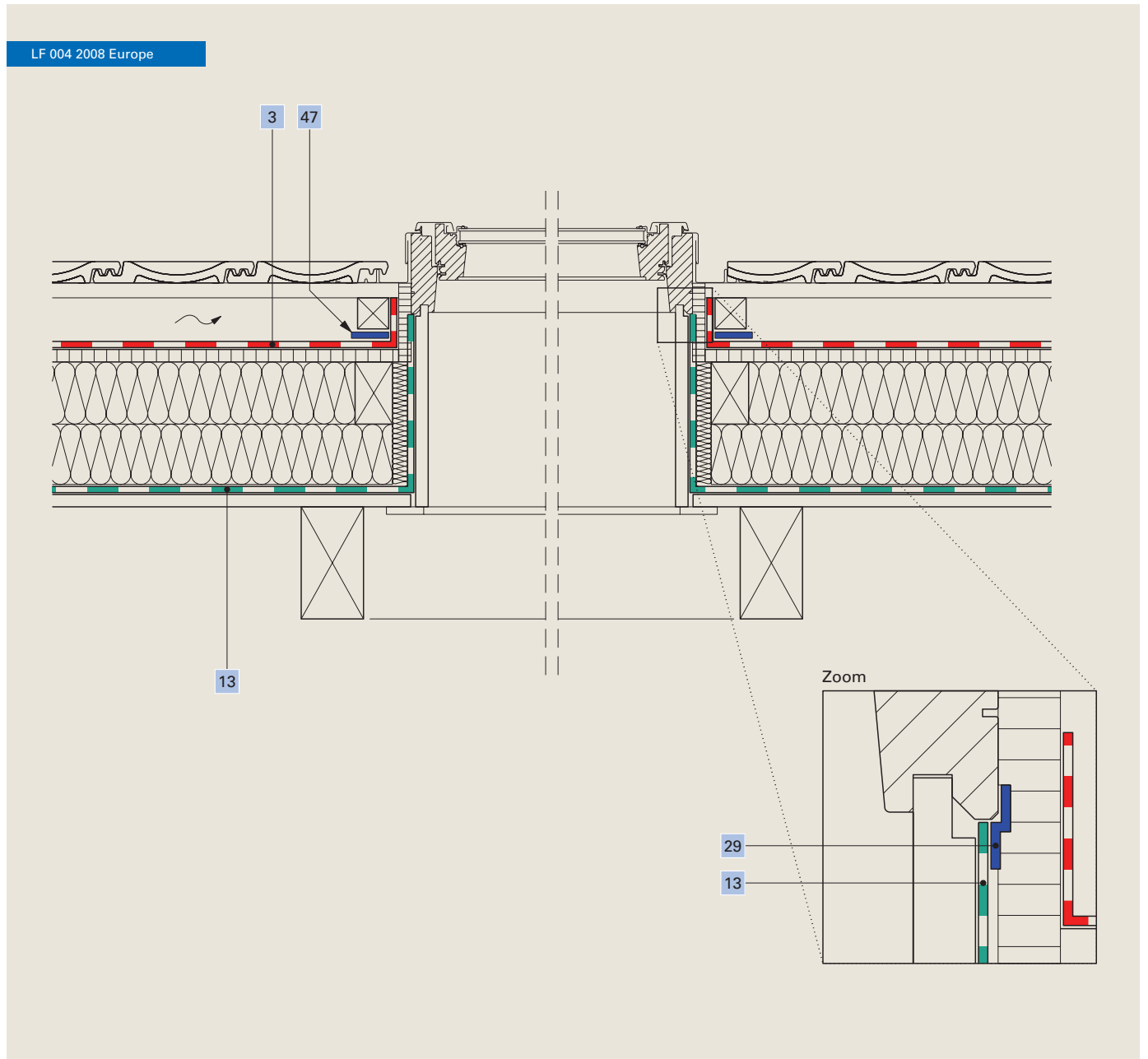
28 Adhesive tape **Ampacoll® FE**

Ampack Switzerland:  
+41 (0)71 858 38 00  
www.ampack.eu



# Air tightness, window installation, dormer window

Side reveal, rafter-mounted insulation



3 Roof membrane **Ampatop® Secura**

13 Formwork strip **Ampatex® SB 130**

29 Adhesive tape **Ampacoll® XT, 60 mm**

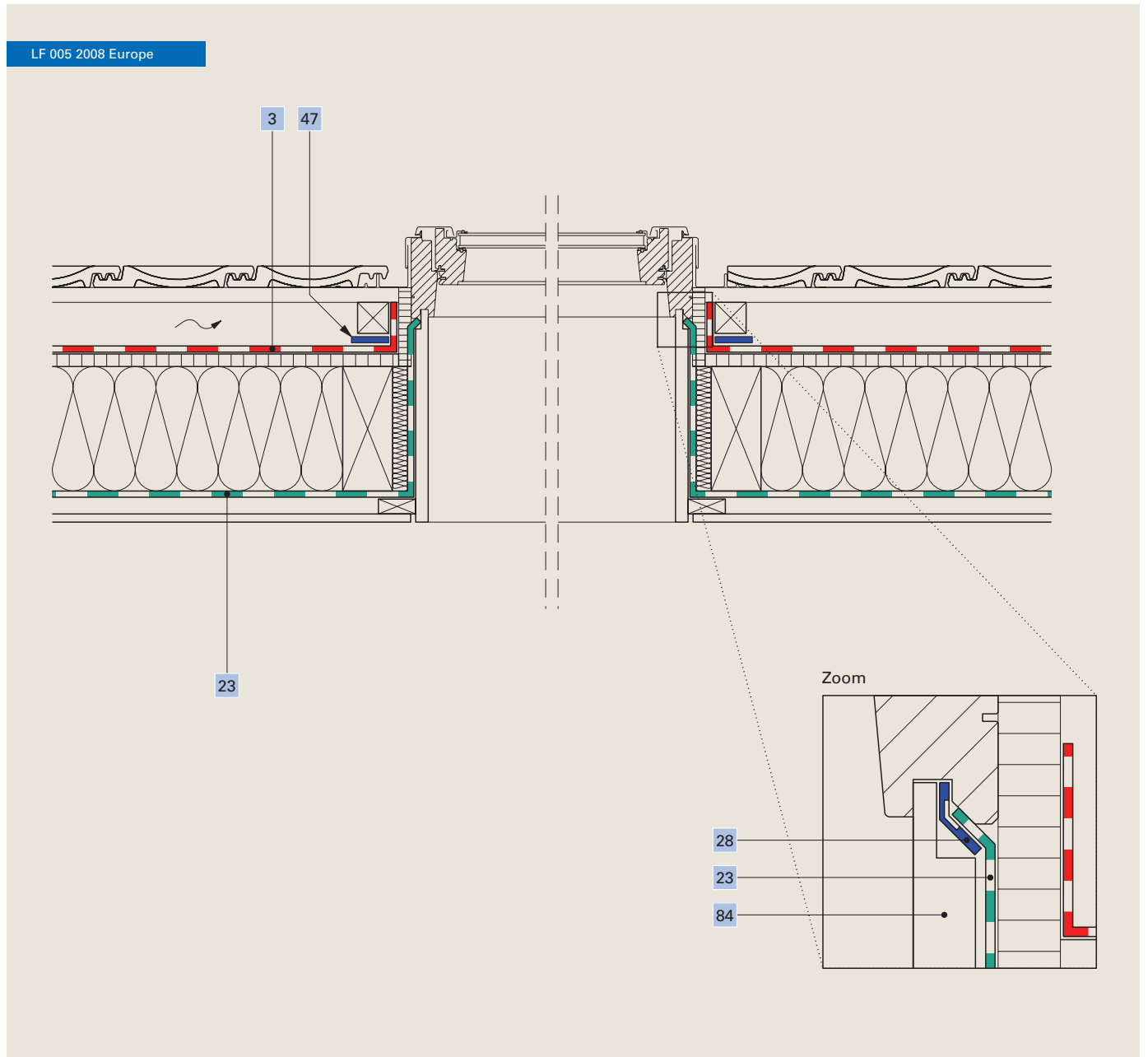
47 Nail seal **Ampacoll® ND.Band**

Ampack Switzerland:  
+41 (0)71 858 38 00  
www.ampack.eu



# Air tightness, window installation, dormer window

Side reveal, insulation between rafters



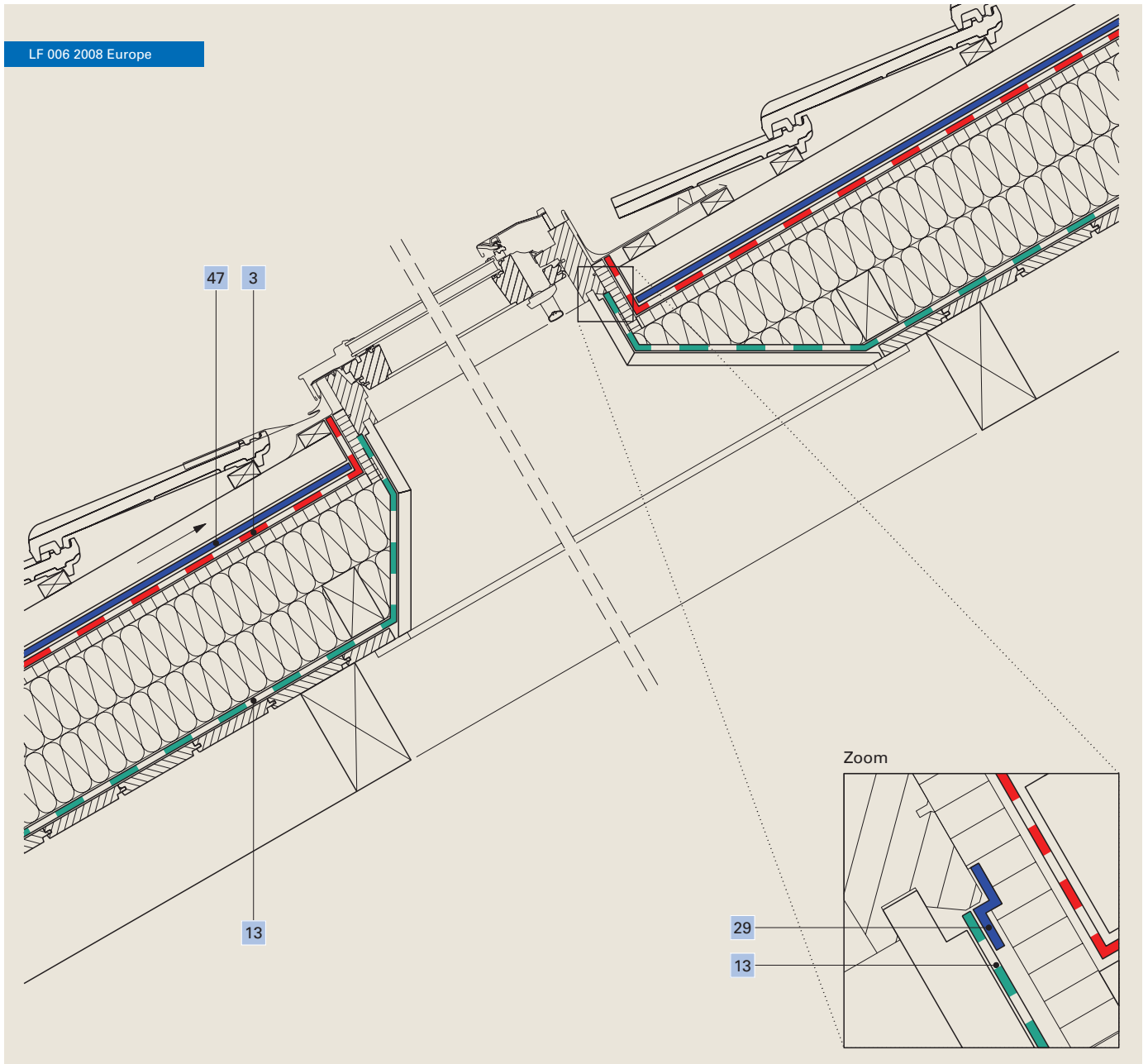
3	Roof membrane <b>Ampatop® Secura</b>	47	Nail seal <b>Ampacoll® ND.Band</b>
23	Vapour check <b>Ampatex® DB 90</b>	84	Window frame
28	Adhesive tape <b>Ampacoll® FE</b> , with mechanical securing by window frame		

Ampack Switzerland:  
+41 (0)71 858 38 00  
www.ampack.eu



# Air tightness, window installation, dormer window

▀ Ledge and parapet, rafter-mounted insulation



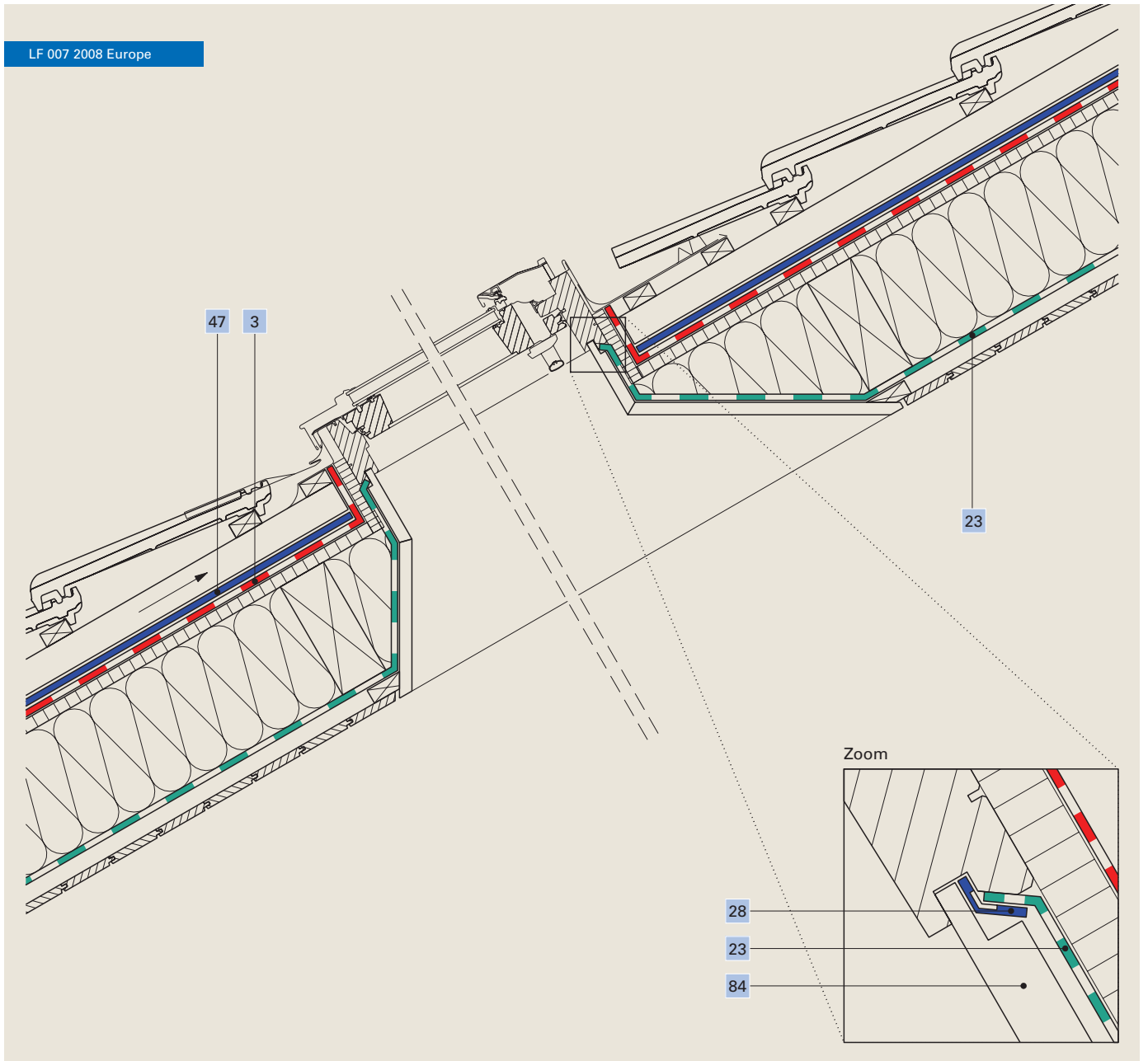
3	Roof membrane <b>Ampatop® Secura</b>	29	Adhesive tape <b>Ampacoll® XT, 60 mm</b>
13	Formwork strip <b>Ampatex® SB 130</b>	47	Nail seal <b>Ampacoll® ND.Band</b>

Ampack Switzerland:  
+41 (0)71 858 38 00  
www.ampack.eu



# Air tightness, window installation, dormer window

▀ Ledge and parapet, rafter-mounted insulation



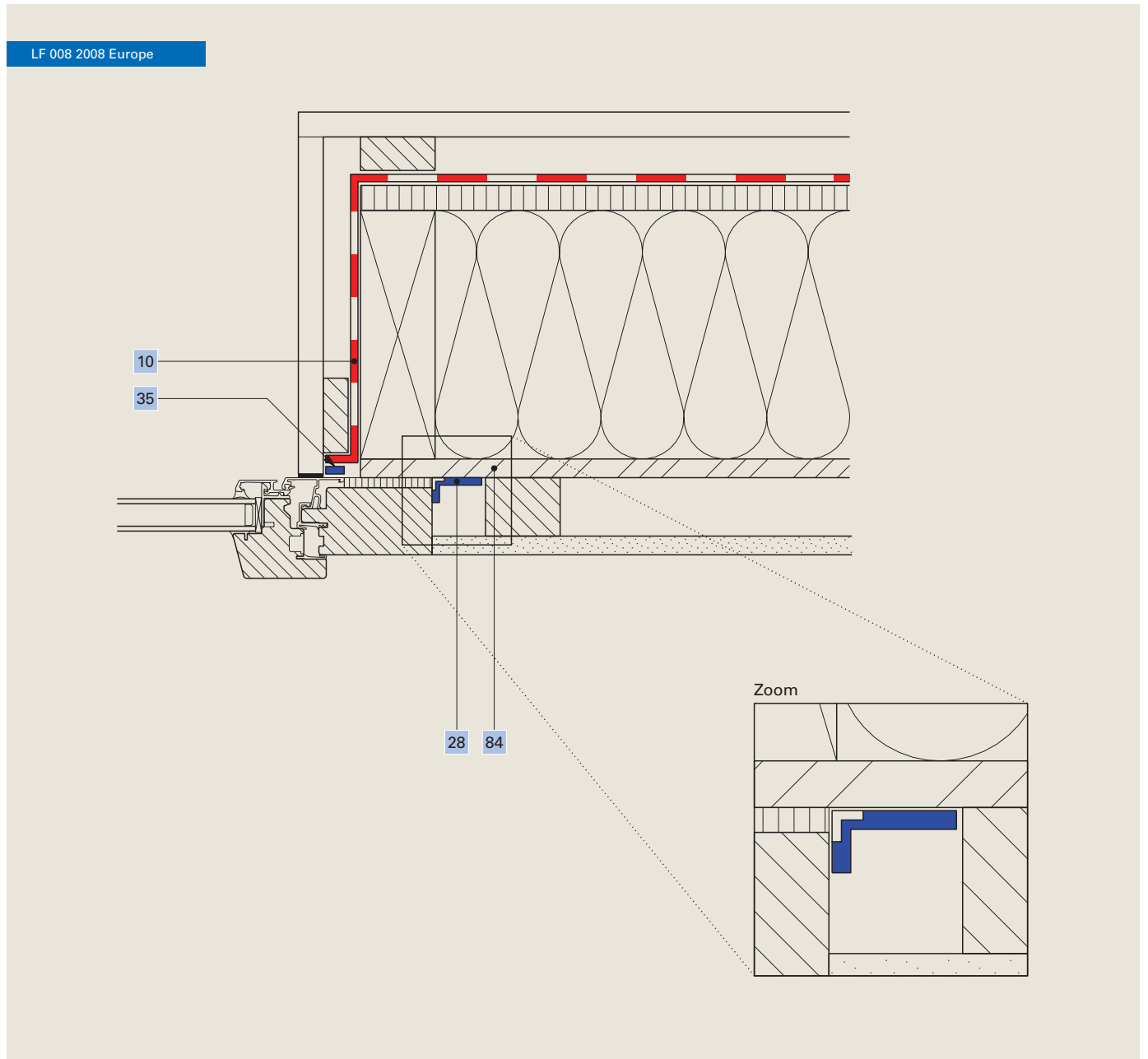
3	Roof membrane <b>Ampatop® Secura</b>	47	Nail seal <b>Ampacoll® ND.Band</b>
23	Vapour check <b>Ampatex® DB 90</b>	84	Window frame
28	Adhesive tape <b>Ampacoll® FE</b> , with mechanical securing by window frame		

Ampack Switzerland:  
+41 (0)71 858 38 00  
www.ampack.eu



# Air tightness, window installation, fitted window

Use of special tapes, wood construction

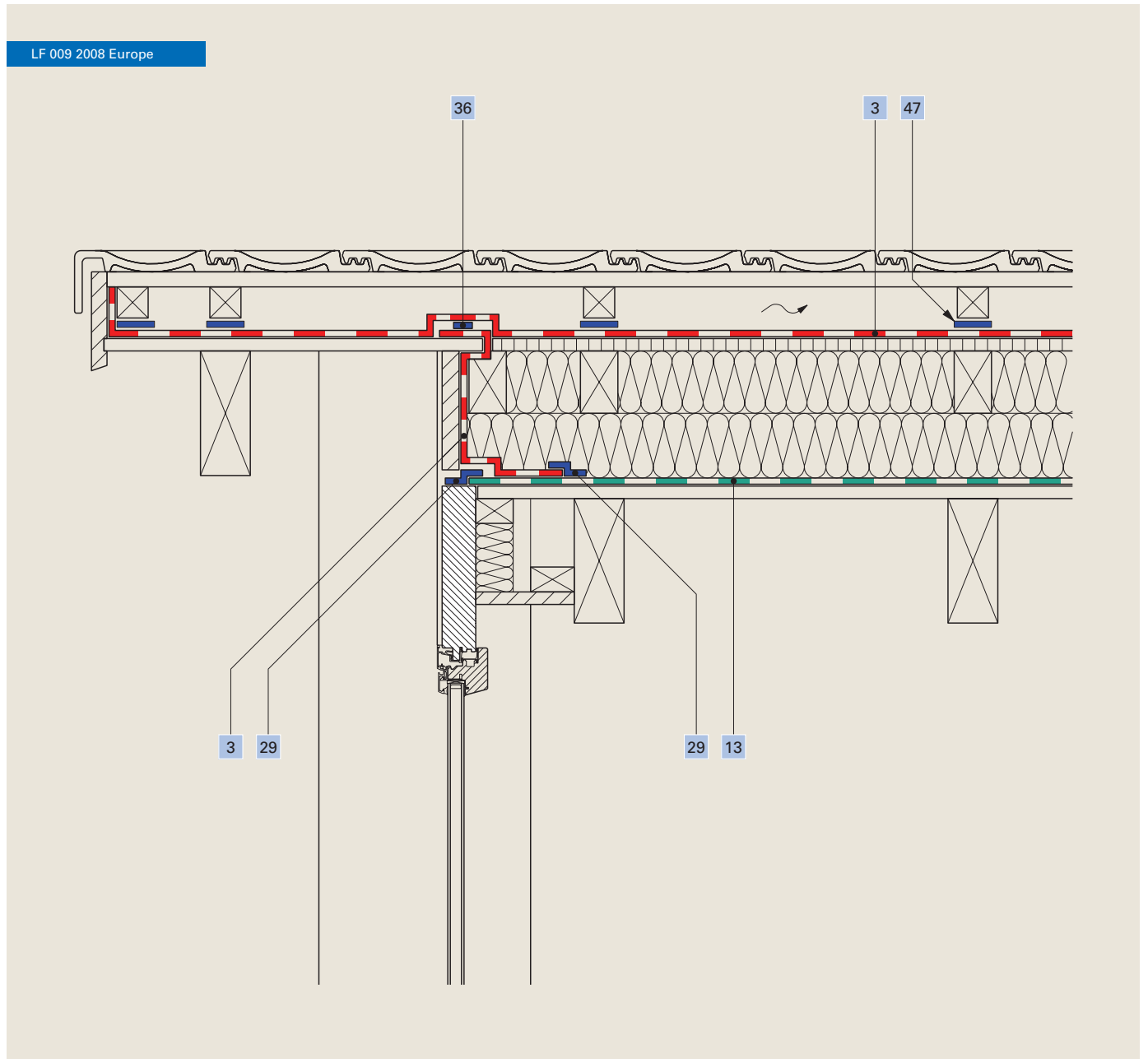


10	Wall membrane <b>Ampatop® Aero</b>	35	Adhesive tape <b>Ampacoll® BK 530</b> , 15 mm
28	Adhesive tape <b>Ampacoll® FE</b>	84	Cladding (airtight fitting)



# Air tightness, window installation, gable window

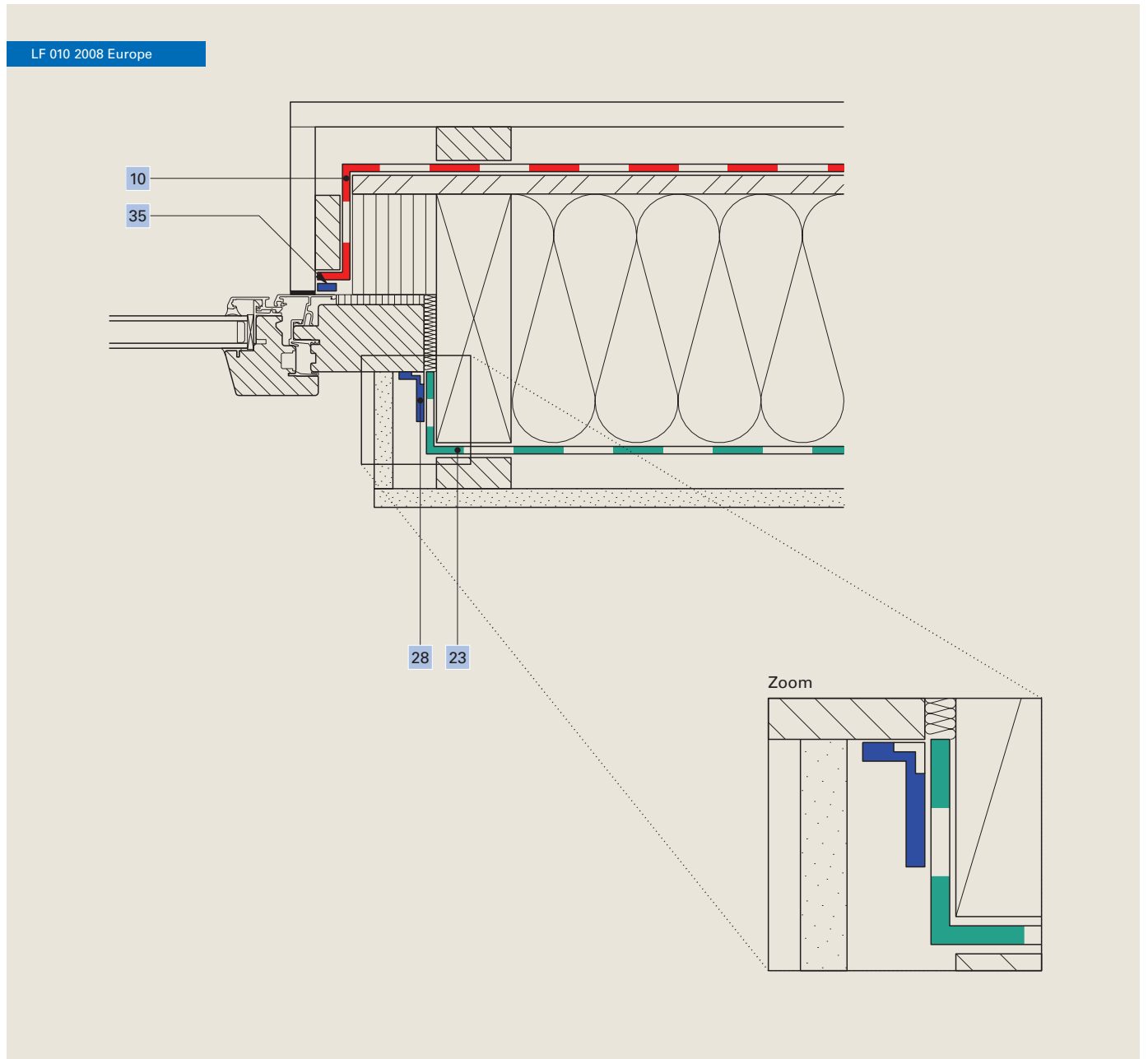
Rafter-mounted insulation



3	Roof membrane <b>Ampatop® Secura</b>	36	Adhesive tape <b>Ampacoll® BK 530</b> , 20 mm
13	Formwork strip <b>Ampatex® SB 130</b>	47	Nail seal <b>Ampacoll® ND.Band</b>
29	Adhesive tape <b>Ampacoll® XT</b> , 60 mm		

# Air tightness, window installation, reveal

Use of special tapes, wood construction

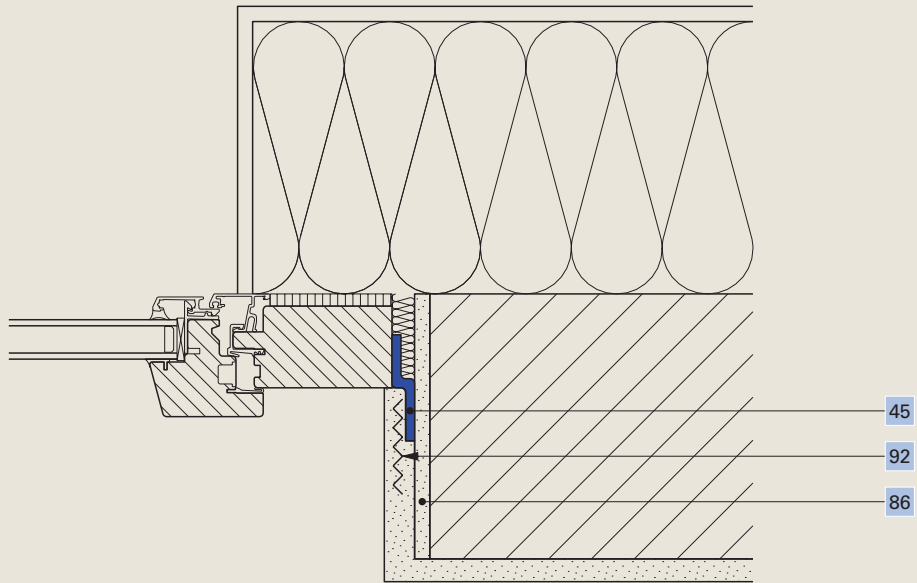


10	Wall membrane <b>Ampatop® Aero</b>	28	Adhesive tape <b>Ampacoll® FE</b>
23	Vapour check <b>Ampatex® DB 90</b>	35	Adhesive tape <b>Ampacoll® BK 530, 15 mm</b>

# Air tightness, window installation, reveal

Use of special tapes, masonry construction

LF 011 2008 Europe

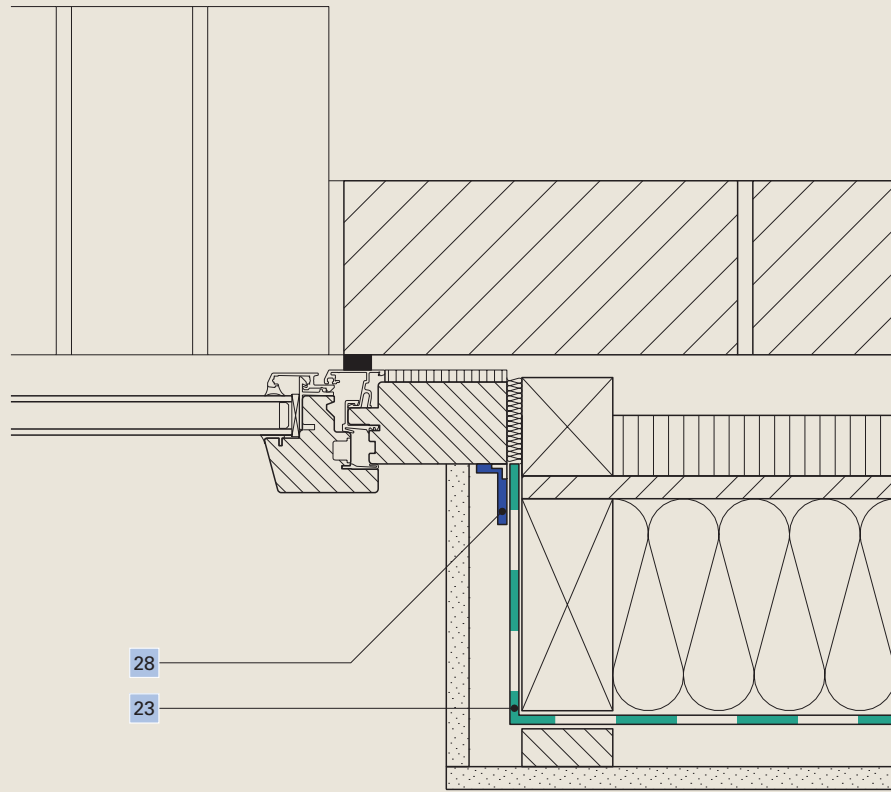


- |    |   |
|----|---|
| 45 | Adhesive tape <b>Ampacoll® F</b>          |
| 86 | Smooth finish before fitting window       |
| 92 | Support for plaster (e.g. expanded metal) |

# Air tightness, window installation, reveal

Wood construction with clinker façade

LF 012 2008 Europe



23 Vapour check **Ampatex® DB 90**

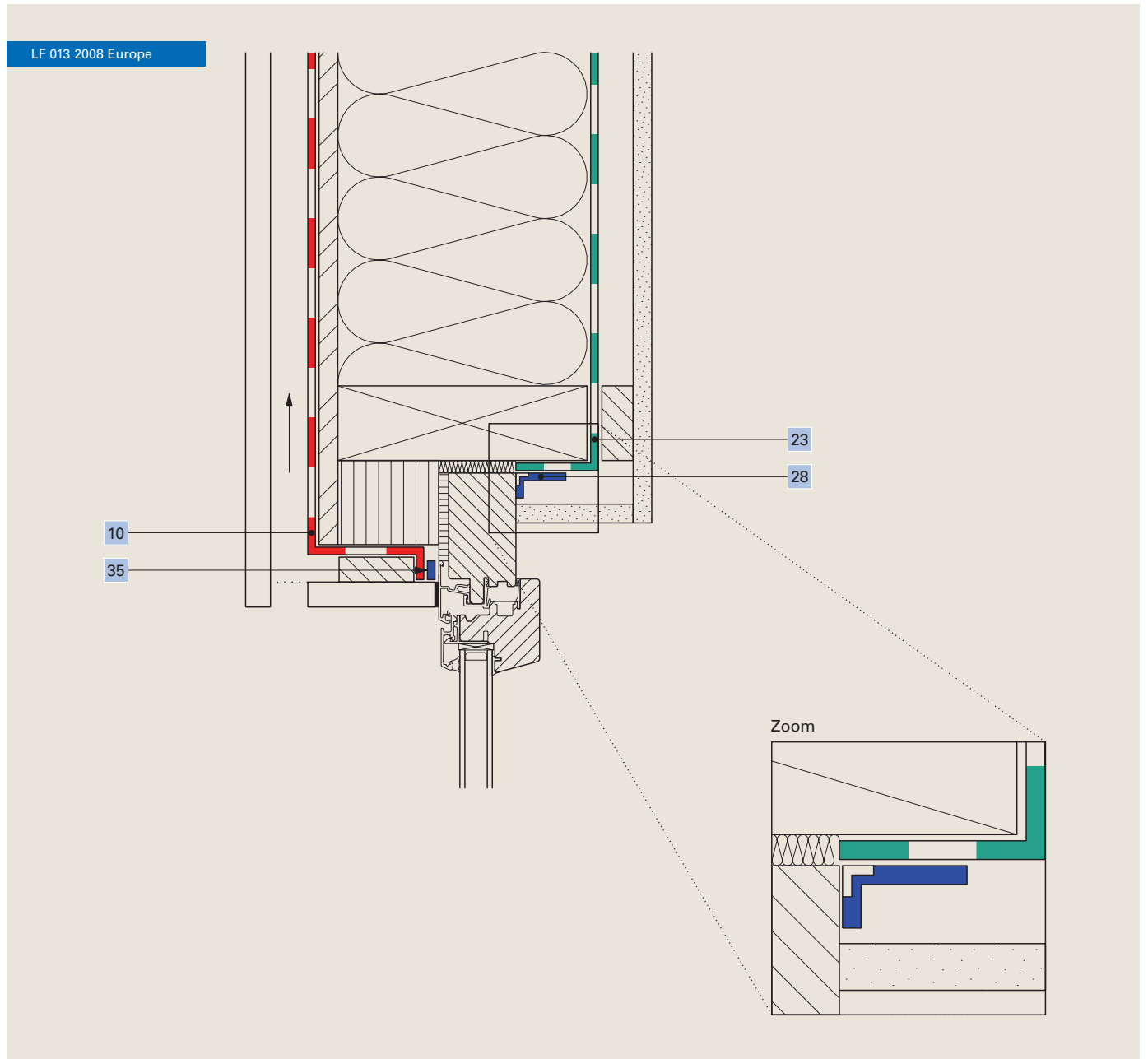
28 Adhesive tape **Ampacoll® FE**

Ampack Switzerland:  
+41 (0)71 858 38 00  
www.ampack.eu



# Air tightness, window installation, ledge

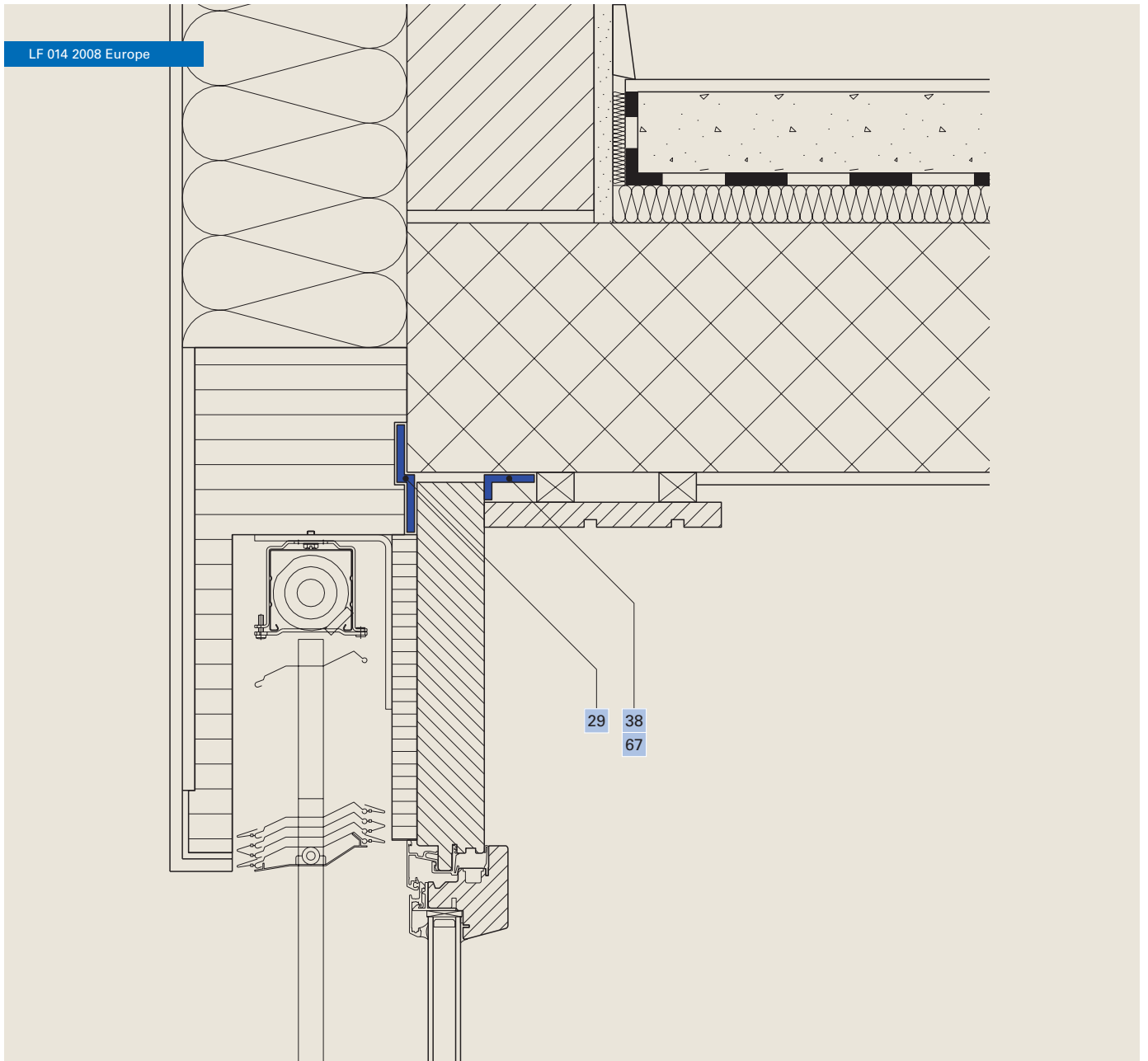
Use of special tapes, wood construction



10	Wall membrane <b>Ampatop® Aero</b>	28	Adhesive tape <b>Ampacoll® FE</b>
23	Vapour check <b>Ampatex® DB 90</b>	35	Adhesive tape <b>Ampacoll® BK 530, 15 mm</b>

# Air tightness, window installation, ledge

Use of special tapes, masonry construction



29 Adhesive tape **Ampacoll® XT**, 60 mm

38 67 Adhesive tape **Ampacoll® BK 535**, 50 mm/  
**Ampacoll® Connecto**

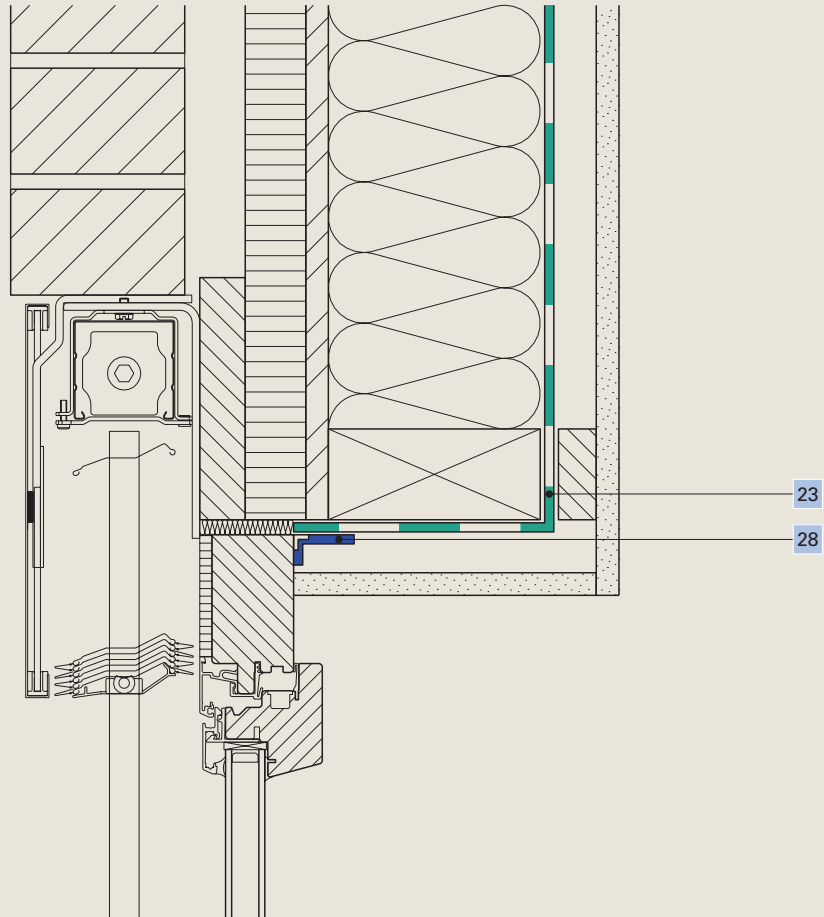
Ampack Switzerland:  
+41 (0)71 858 38 00  
www.ampack.eu



# Air tightness, window installation, ledge

Wood construction with clinker façade

LF 015 2008 Europe



23 Vapour check **Ampatex® DB 90**

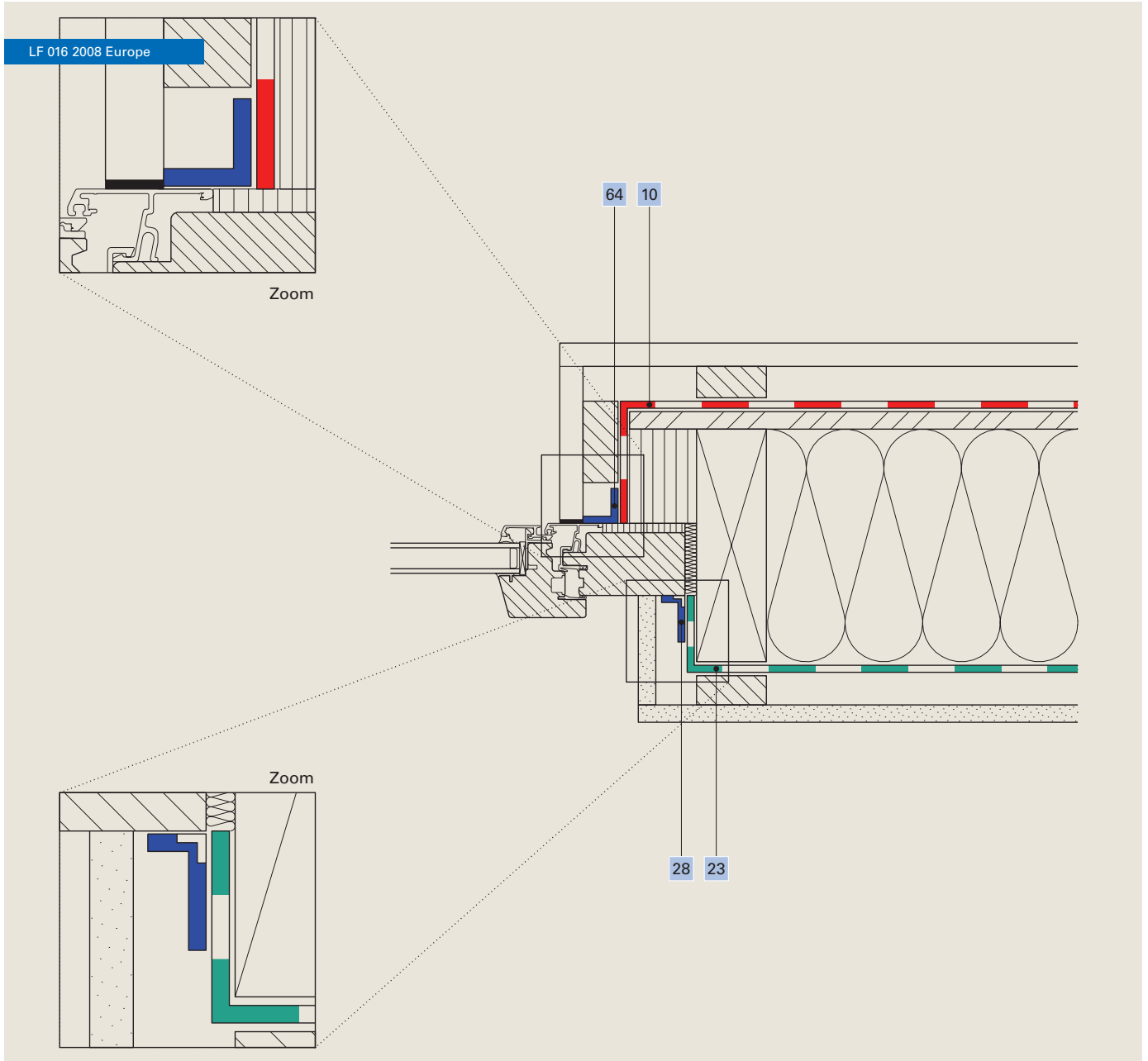
28 Adhesive tape **Ampacoll® FE**

Ampack Switzerland:  
+41 (0)71 858 38 00  
www.ampack.eu



# Air tightness, window installation, reveal

Use of special tapes, wood construction



10 Wall membrane **Ampatop® Aero**

23 Vapour check **Ampatex® DB 90**

28 Adhesive tape **Ampacoll® FE**

64 Adhesive tape **Ampacoll® XT**, 60 mm, double slit

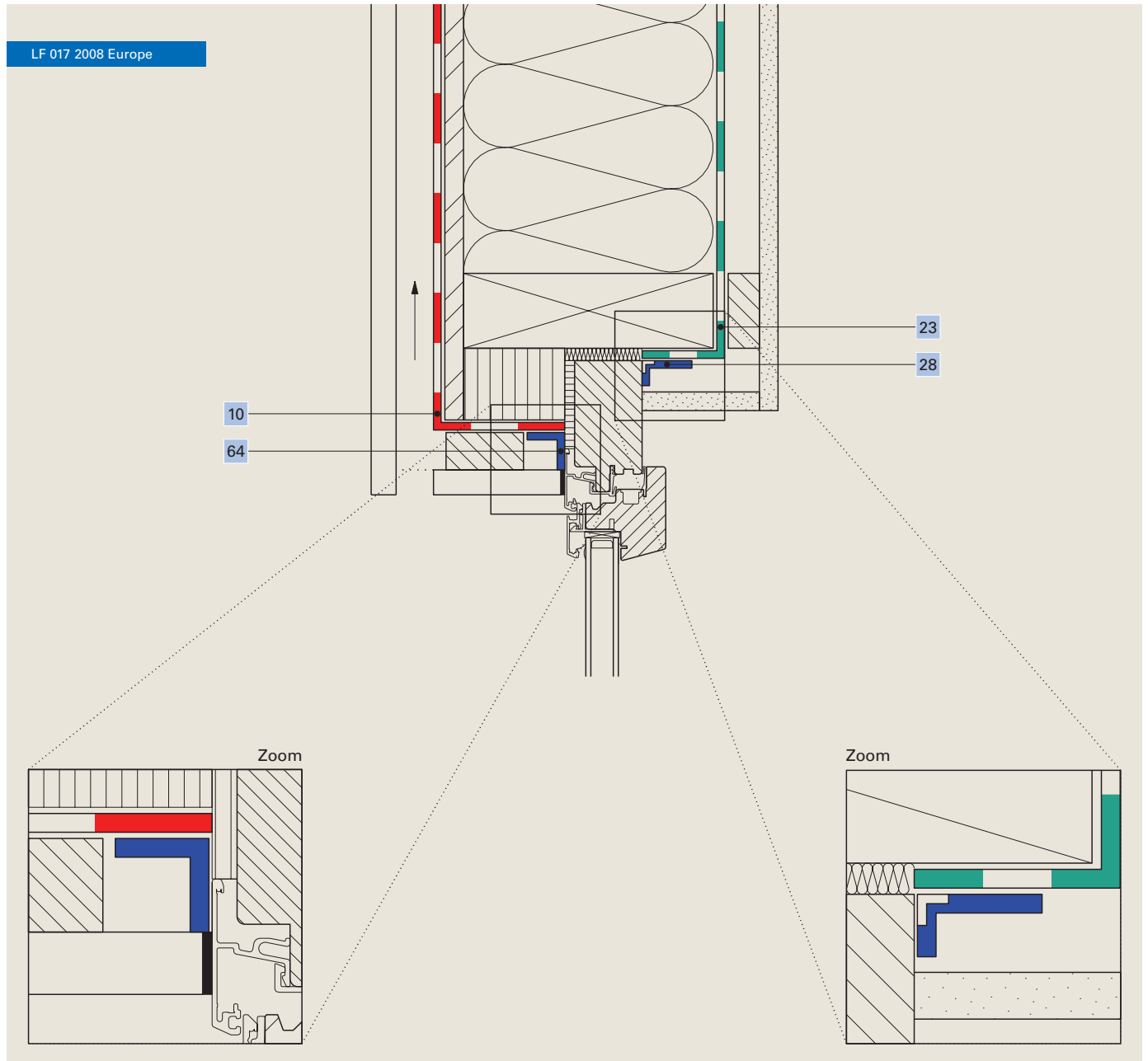
Ampack Switzerland:  
+41 (0)71 858 38 00  
www.ampack.eu





# Air tightness, window installation, ledge

Use of special tapes, wood construction



10	Wall membrane <b>Ampatop® Aero</b>	28	Adhesive tape <b>Ampacoll® FE</b>
23	Vapour check <b>Ampatex® DB 90</b>	64	Adhesive tape <b>Ampacoll® XT</b> , 60 mm, double slit