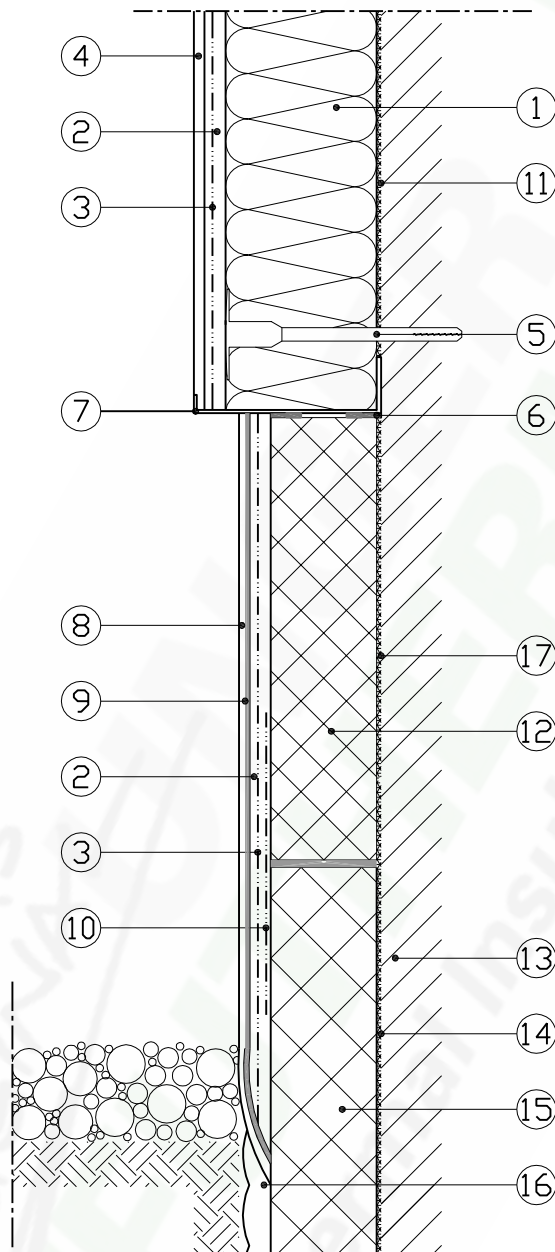


# Building perimeter installation using a plinth profile



- |  |   |
|--|---|
| 1 - Udi UNGER DIFFUTHERM NF Wood-fibre insulation element                  | 10 - Udi REINFORCEMENT Strengthening Mesh Strips                  |
| 2 - Udi FOUNDATION COAT  | 11 - Bonding of the first row of boards using Udi FOUNDATION COAT |
| 3 - Udi REINFORCEMENT Strengthening Mesh                                   | 12 - Perimeter insulation   |
| 4 - Udi PERL Structured Fine Render  | 13 - Mineral-based substrate (e.g. Masonry)                       |
| 5 - Udi ASSEMBLY Fixing  | 14 - Bonding layer below ground level                             |
| 6 - Udi JOINTING TAPE  | 15 - Insulation below ground level                                |
| 7 - Udi BASE Plinth End Cap Profile including Udi BASE Plinth Edging Strip | 16 - e.g. Drainage element  |
| 8 - Udi BASE Fine Mosaic Render or Udi PERL Structured Fine Render         | 17 - Full surface bonding using Udi BASE Plinth Slurry            |
| 9 - Udi BASE Plinth Slurry   |   |

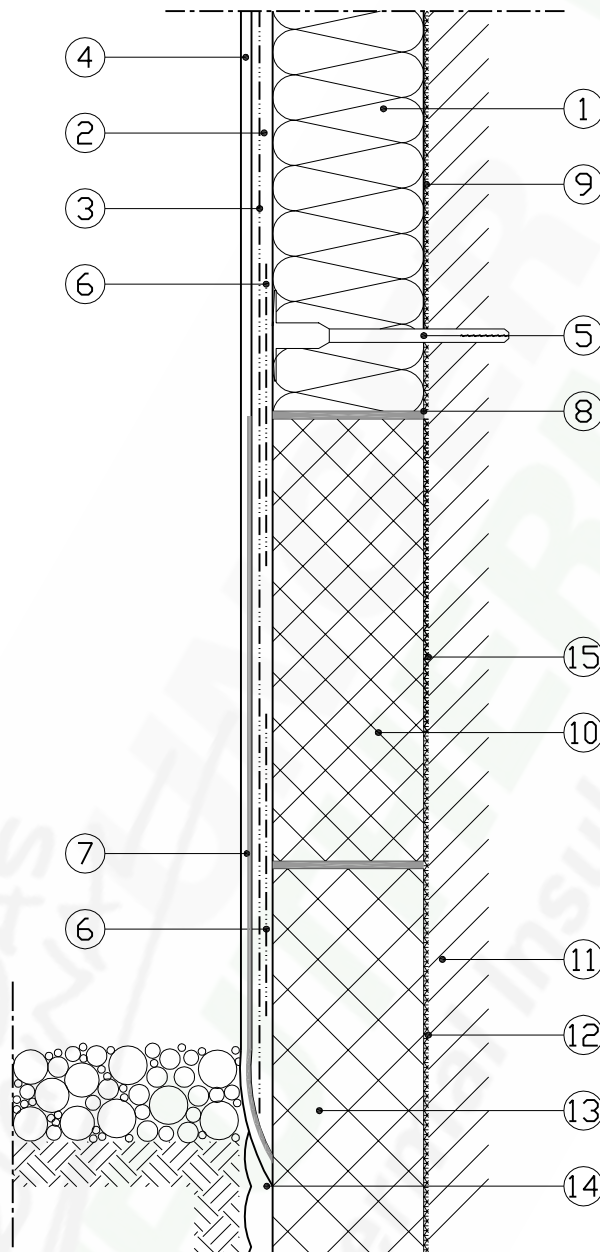
**NR 1.01**

**Date: 08.10.2008**

The technical information provided in this document reflects our current state of knowledge and experience. We reserve the right to make any changes we deem necessary to improve the product or its application and installation. The information contained within this document supersedes all previously dated documents and the information contained within them is herewith invalid.



# Building perimeter installation without a plinth profile



- |  |   |
|--|---|
| 1 - Udi UNGER DIFFUTHERM NF Wood-fibre insulation element                          | 10 - Perimeter insulation                                 |
| 2 - Udi FOUNDATION COAT  | 11 - Substrate (e.g. Masonry)                             |
| 3 - Udi REINFORCEMENT Strengthening Mesh   | 12 - Bonding layer below ground level                     |
| 4 - Udi PERL Structured Fine Render  | 13 - Insulation below ground level                        |
| 5 - Udi ASSEMBLY Fixing  | 14 - e.g. Drainage element                                |
| 6 - Udi REINFORCEMENT Strengthening Mesh Strips                                    | 15 - Full surface bonding using<br>Udi BASE Plinth Slurry |
| 7 - Udi BASE Plinth Slurry   |   |
| 8 - Form-fitted bonding using Udi BASE Plinth Slurry<br>or Udi Dispersion Adhesive |   |
| 9 - Bonding of the first row of boards using<br>Udi FOUNDATION COAT                |   |

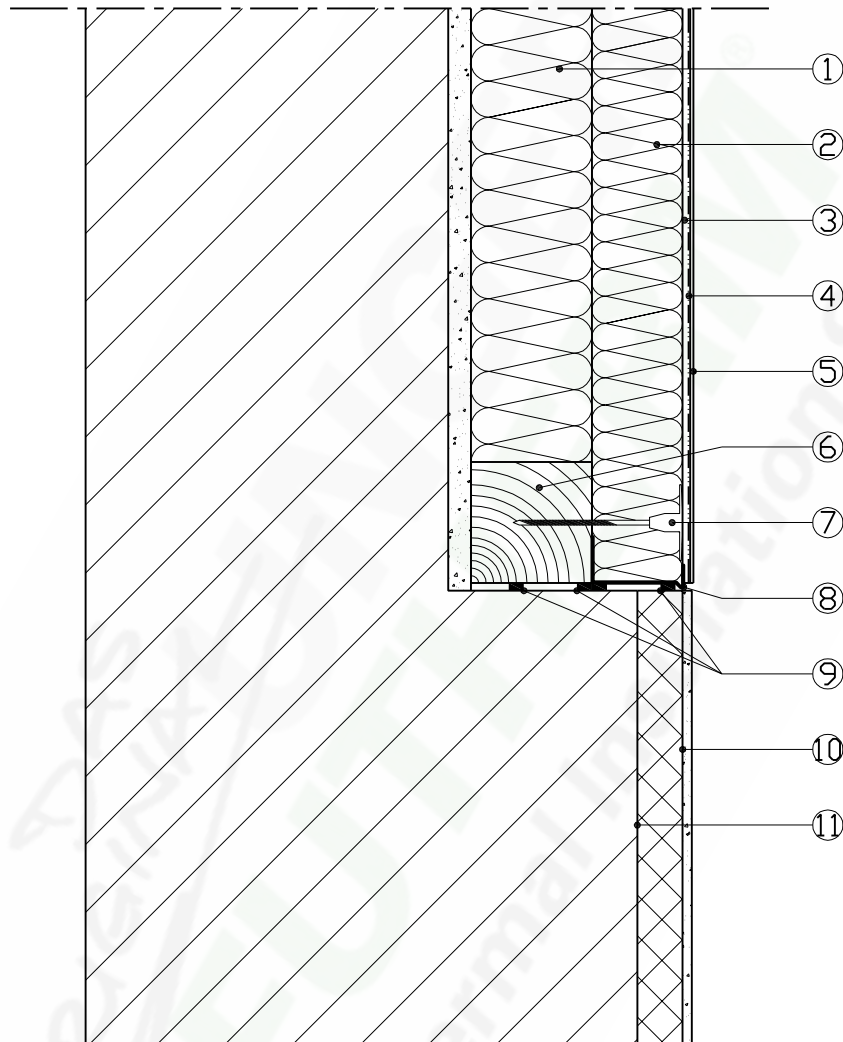
NR 1.02

Date: 28.08.2009

The technical information provided in this document reflects our current state of knowledge and experience. We reserve the right to make any changes we deem necessary to improve the product or its application and installation. The information contained within this document supersedes all previously dated documents and the information contained within them is herewith invalid.



# Masonry projection - Above the splash/spray water zone



- |  |  |
|--|--|
| 1 - Udi FLEX Flexible wood-fibre insulation                                | 10 - Perimeter insulation with plinth render           |
| 2 - Udi UNGER DIFFUTHERM NF Wood-fibre insulation element                  | 11 - Full surface bonding using Udi BASE Plinth Slurry |
| 3 - Udi FOUNDATION COAT  |  |
| 4 - Udi REINFORCEMENT Strengthening Mesh                                   |  |
| 5 - Udi PERL Structured Fine Render  |  |
| 6 - Bearer timbers (if required)   |  |
| 7 - Udi ASSEMBLY Fixing  |  |
| 8 - Udi BASE Plinth End Cap Profile including Udi BASE Plinth Edging Strip |  |
| 9 - Udi JOINTING TAPE  |  |

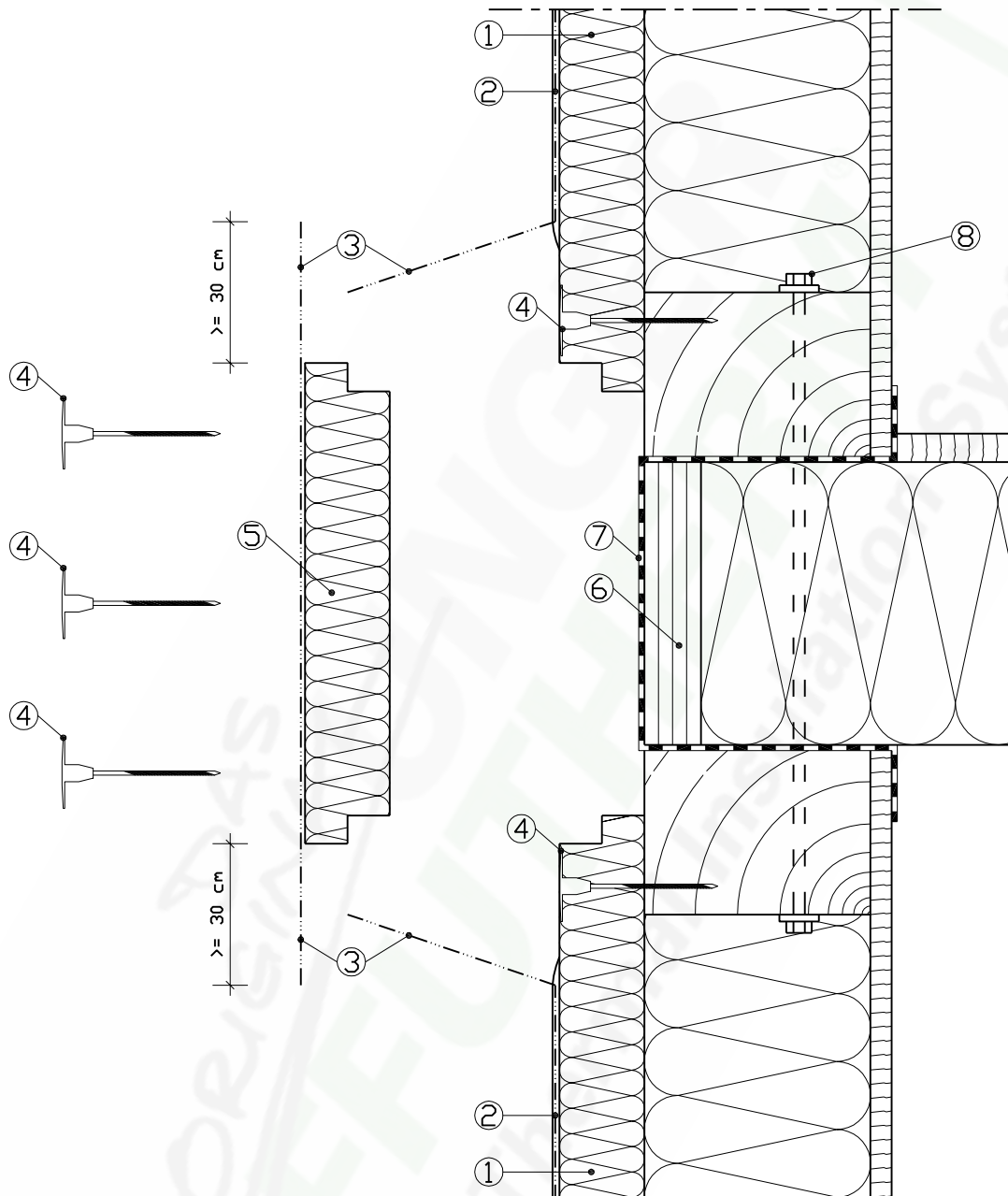
Date: 27.08.2009

The technical information provided in this document reflects our current state of knowledge and experience. We reserve the right to make any changes we deem necessary to improve the product or its application and installation. The information contained within this document supersedes all previously dated documents and the information contained within them is herewith invalid.

NR 1.03



# Floor level transition with an inserted ceiling

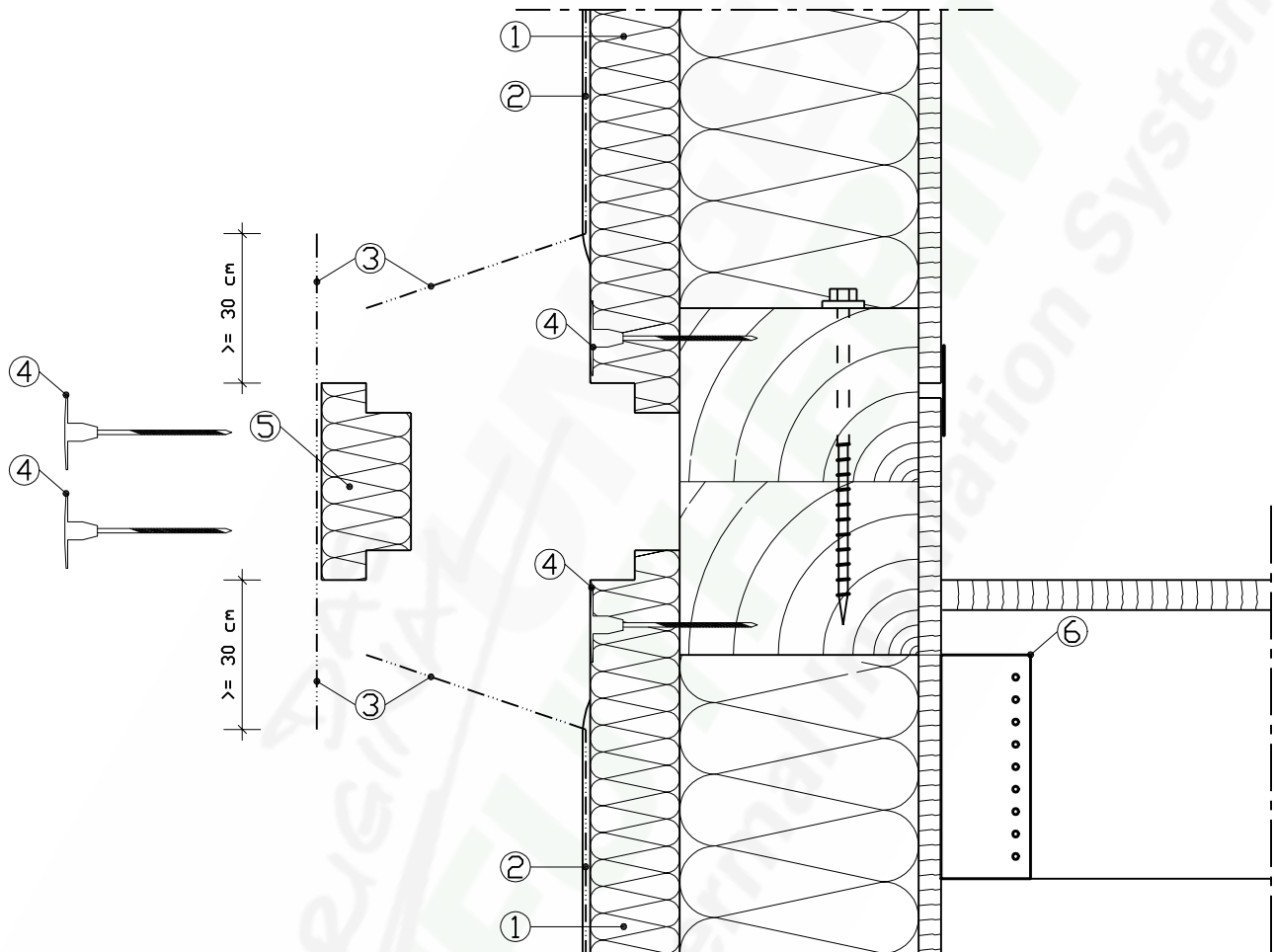


- 1 - **UdiUNGER DIFFUTHERM** NF Wood-fibre insulation element
- 2 - **UdiFOUNDATION COAT**
- 3 - **UdiREINFORCEMENT** Strengthening Mesh (Double layered using the main reinforcement mesh and an overlapping reinforcement mesh strip)
- 4 - **UdiASSEMBLY** Insulation Render Screw (horizontal spacing 30cm)
- 5 - **UdiUNGER DIFFUTHERM** NF intermediate piece with a ship-lapped edge
- 6 - Vertical timbers to compensate for shrinkage using settle-fast timber materials
- 7 - Air-tight seal, vapour-permeable membrane
- 8 - Tension fixing to accommodate for constructive inaccuracies

Date: 27.08.2009

The technical information provided in this document reflects our current state of knowledge and experience. We reserve the right to make any changes we deem necessary to improve the product or its application and installation. The information contained within this document supersedes all previously dated documents and the information contained within them is herewith invalid.

# Floor level transition with a suspended ceiling



- 1 - **UdiUNGER DIFFUTHERM** NF Wood-fibre insulation element
- 2 - **UdiFOUNDATION COAT**
- 3 - **UdiREINFORCEMENT** Strengthening Mesh (Double layered using the main reinforcement mesh and an overlapping reinforcement mesh strip)
- 4 - **UdiASSEMBLY** Insulation Render Screw (horizontal spacing 30cm)
- 5 - **UdiUNGER DIFFUTHERM** NF Wood-fibre insulation element, intermediate piece with a ship-lapped edge
- 6 - Steel structural reinforcement element

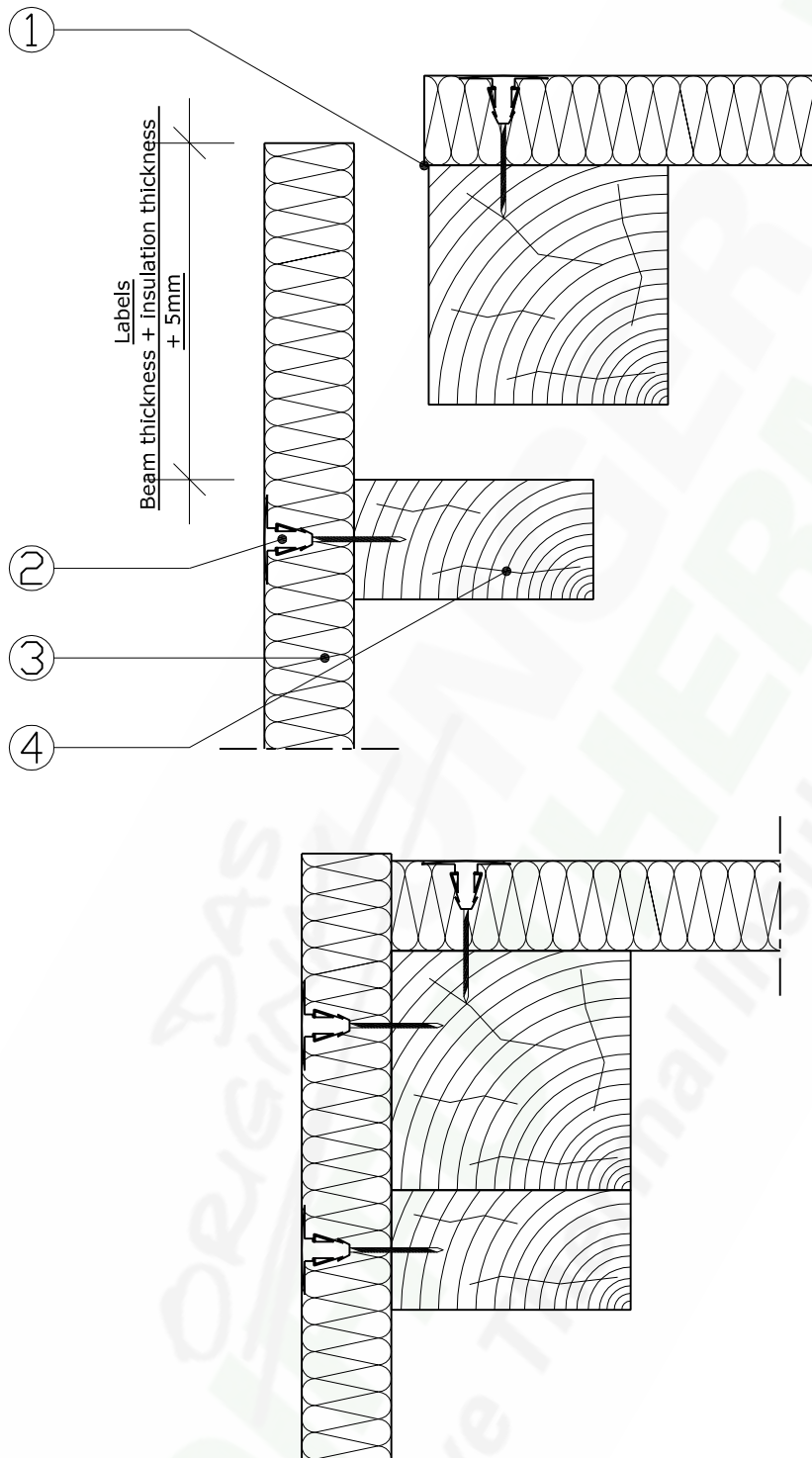
Date: 27.08.2009

The technical information provided in this document reflects our current state of knowledge and experience. We reserve the right to make any changes we deem necessary to improve the product or its application and installation. The information contained within this document supersedes all previously dated documents and the information contained within them is herewith invalid.

NR 2.02



# Corner installation in a pre-fabricated timber construction



- 1 - 3mm overlap to ensure a tight connection
- 2 - **Udi**ASSEMBLY SDH RECO (Timber fixing)
- 3 - **Udi**UNGER DIFFUTHERM NF or **Udi**SPEED
- 4 - Timber studs

Date: 27.08.2009

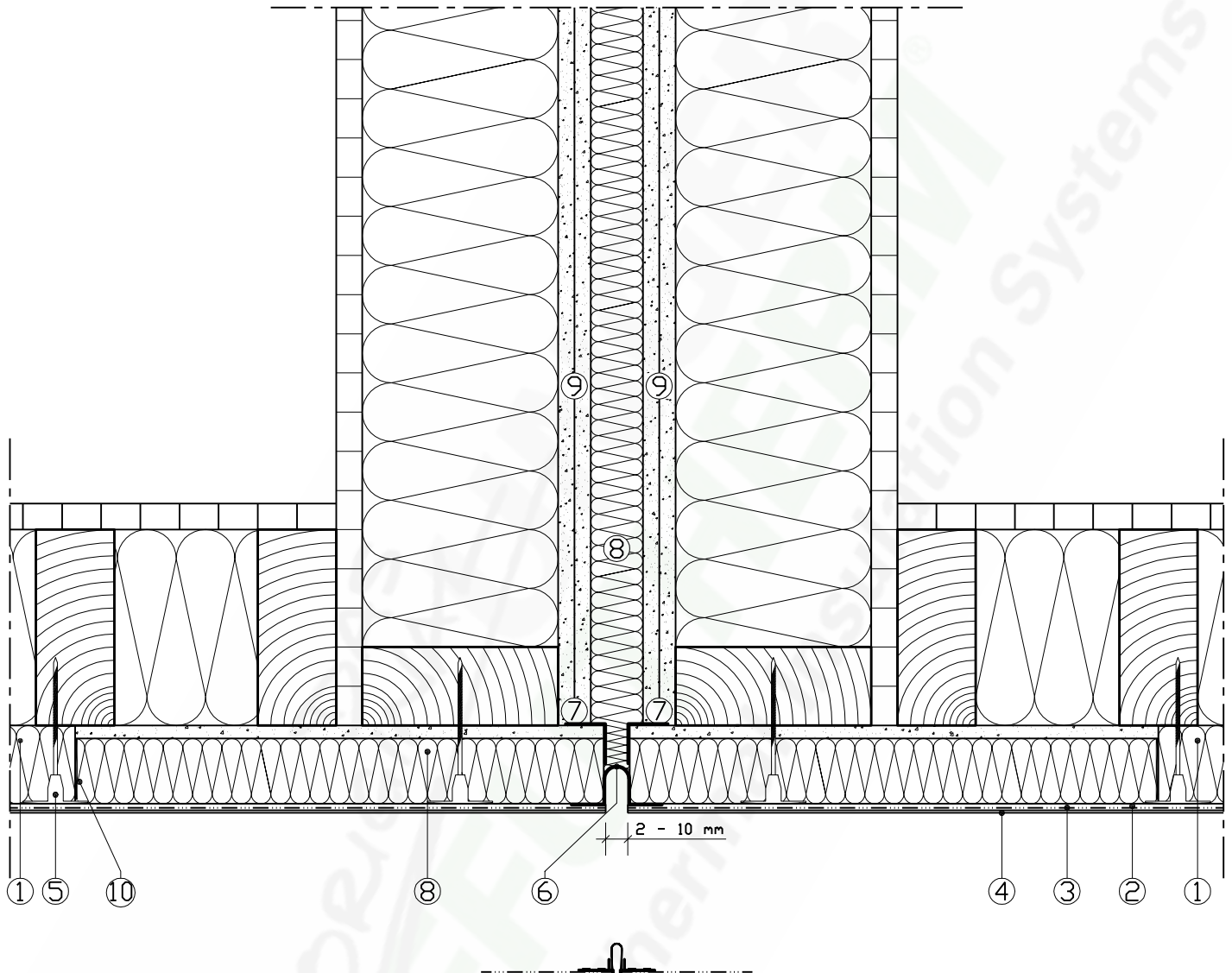
The technical information provided in this document reflects our current state of knowledge and experience. We reserve the right to make any changes we deem necessary to improve the product or its application and installation. The information contained within this document supersedes all previously dated documents and the information contained within them is herewith invalid.

NR 2.03

**Unger**  
**DIFFUTHERM**  
Innovative Thermal Insulation Systems



# Building partition (party) wall - Fire spread/ penetration zone



- 1 - **UdiUNGER DIFFUTHERM NF**  
Wood-fibre insulation element
- 2 - **UdiFOUNDATION COAT**
- 3 - **UdiREINFORCEMENT** Strengthening Mesh
- 4 - **UdiPERL** Structured Fine Render
- 5 - **UdiASSEMBLY** Insulation Render Screw
- 6 - **UdiREINFORCEMENT** Expansion Joint Profile
- 7 - **UdiREINFORCEMENT** Corner Protection Profile
- 8 - Mineral Fibre A1 (Non-flammable)
- 9 - Gypsum fibre boards 12.5 mm per board

>= 50 cm

10 - Bonding using **UdiDispersion** Adhesive

Attention!

The intersections between the mineral fibre insulation and the **UdiUNGER DIFFUTHERM NF** must be strengthened using additional reinforcement strips (min. 30 cm).

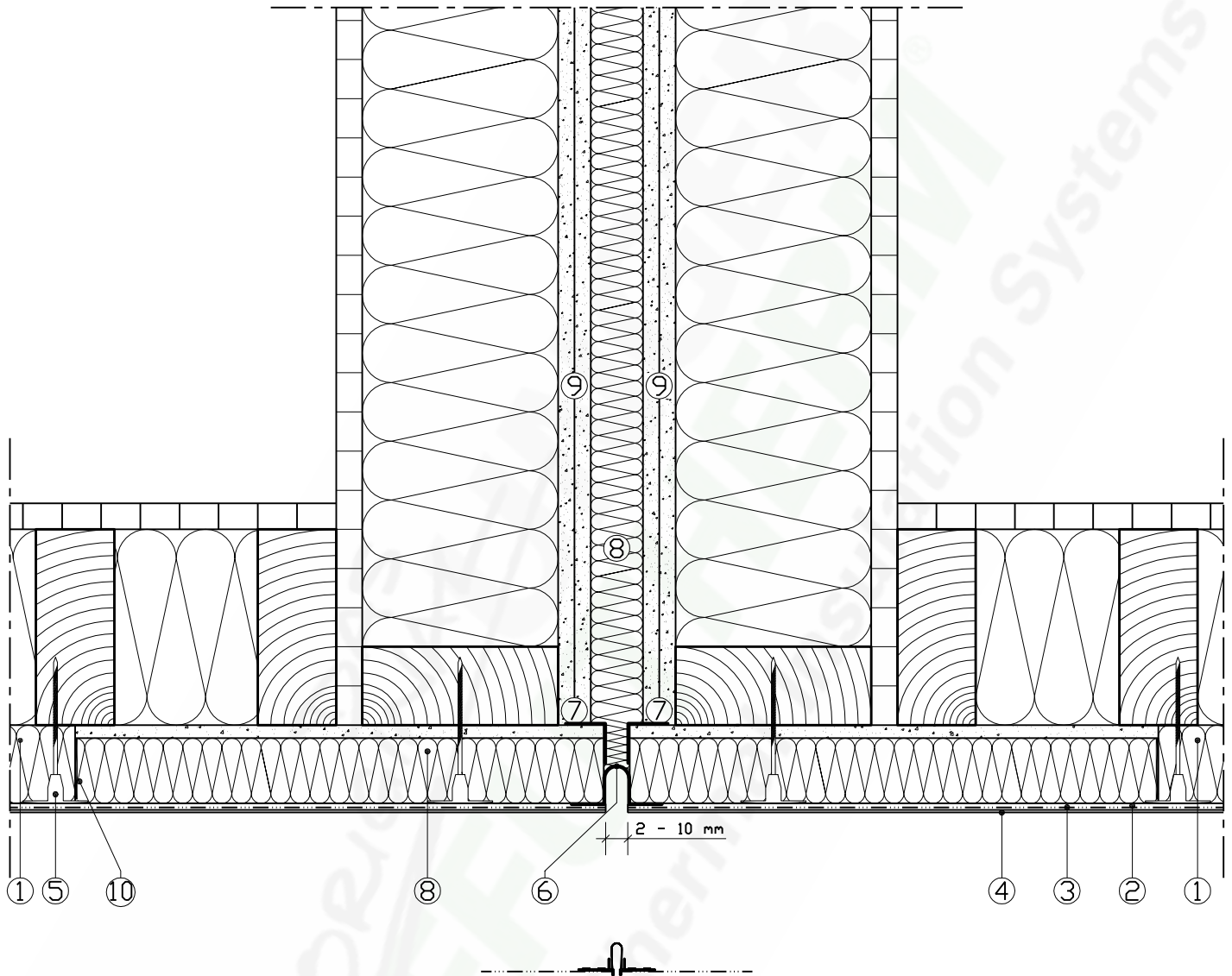
Date: 27.08.2009

The technical information provided in this document reflects our current state of knowledge and experience. We reserve the right to make any changes we deem necessary to improve the product or its application and installation. The information contained within this document supersedes all previously dated documents and the information contained within them is herewith invalid.

**NR 3.01**

**DAS ORIGINAL**  
**UNGER**  
**DIFFUTHERM®**  
Innovative Thermal Insulation Systems

# Building partition (party) wall - Semi-detached house F90



- 1 - **UdiUNGER DIFFUTHERM** NF  
Wood-fibre insulation element
- 2 - **UdiFOUNDATION COAT**
- 3 - **UdiREINFORCEMENT** Strengthening Mesh
- 4 - **UdiPERL** Structured Fine Render
- 5 - **UdiASSEMBLY** Insulation Render Screw
- 6 - **UdiREINFORCEMENT** Expansion Joint Profile
- 7 - **UdiREINFORCEMENT** Corner Protection Profile
- 8 - Mineral Fibre A1 (Non-flammable)
- 9 - Gypsum fibre boards 12.5 mm per board

>= 50 cm

10 - Bonding using **UdiDispersion** Adhesive

Attention!

The intersections between the mineral fibre insulation and the **UdiUNGER DIFFUTHERM** NF must be strengthened using additional reinforcement strips (min. 30 cm).

Date: 27.08.2009

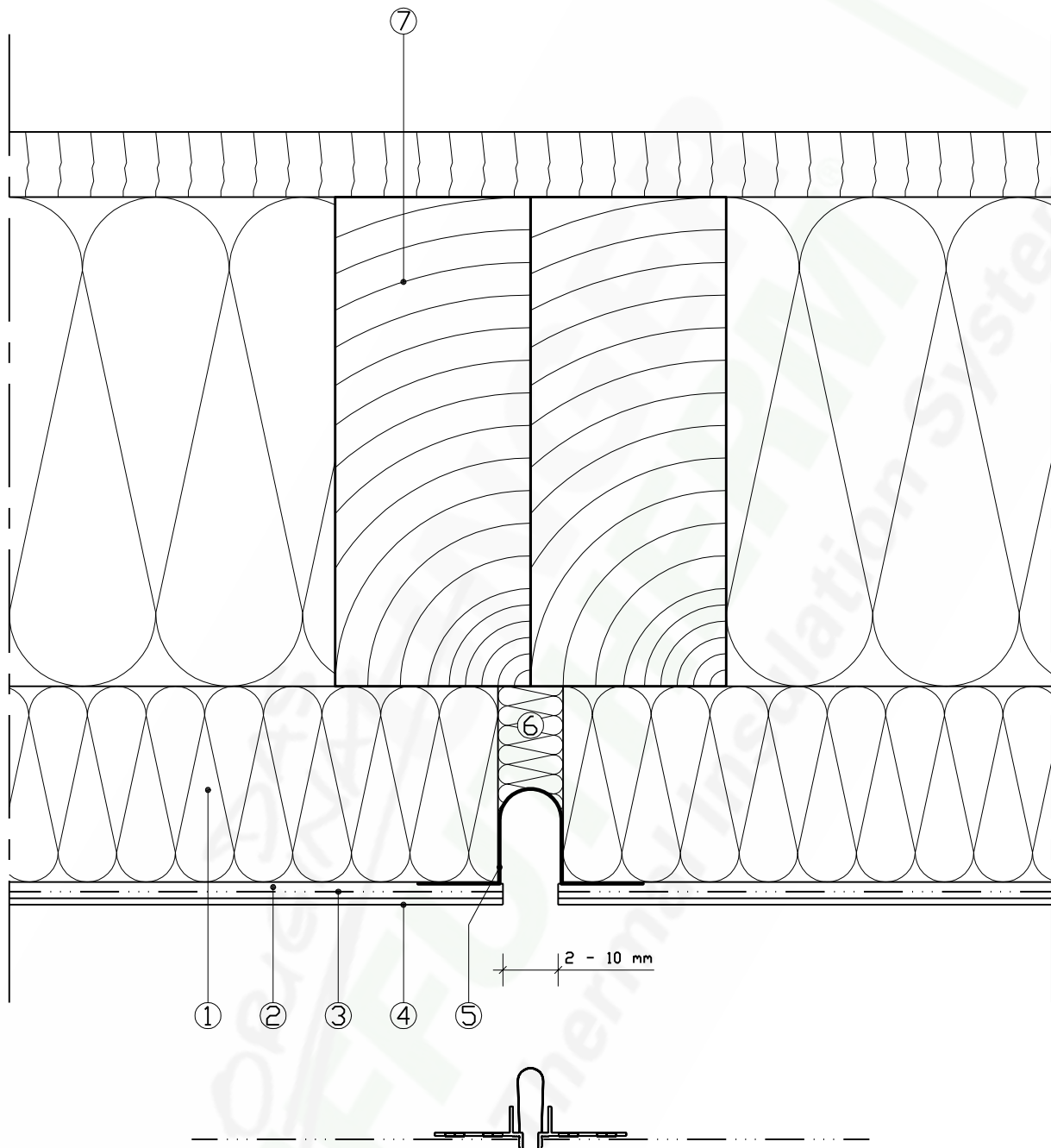
The technical information provided in this document reflects our current state of knowledge and experience. We reserve the right to make any changes we deem necessary to improve the product or its application and installation. The information contained within this document supersedes all previously dated documents and the information contained within them is herewith invalid.

**NR 3.02**

**UdiUNGER**  
**DIFFUTHERM**<sup>®</sup>  
Innovative Thermal Insulation Systems



# Structurally-related expansion joint Continuous wall area (Length > 18m)



- 1 - **Udi**UNGER DIFFUTHERM NF Wood-fibre insulation element
- 2 - **Udi**FOUNDATION COAT
- 3 - **Udi**REINFORCEMENT Strengthening Mesh
- 4 - **Udi**PERL Structured Fine Render
- 5 - **Udi**REINFORCEMENT Expansion Joint Profile
- 6 - Insulation strips
- 7 - Substrate (e.g. masonry or timber frame)

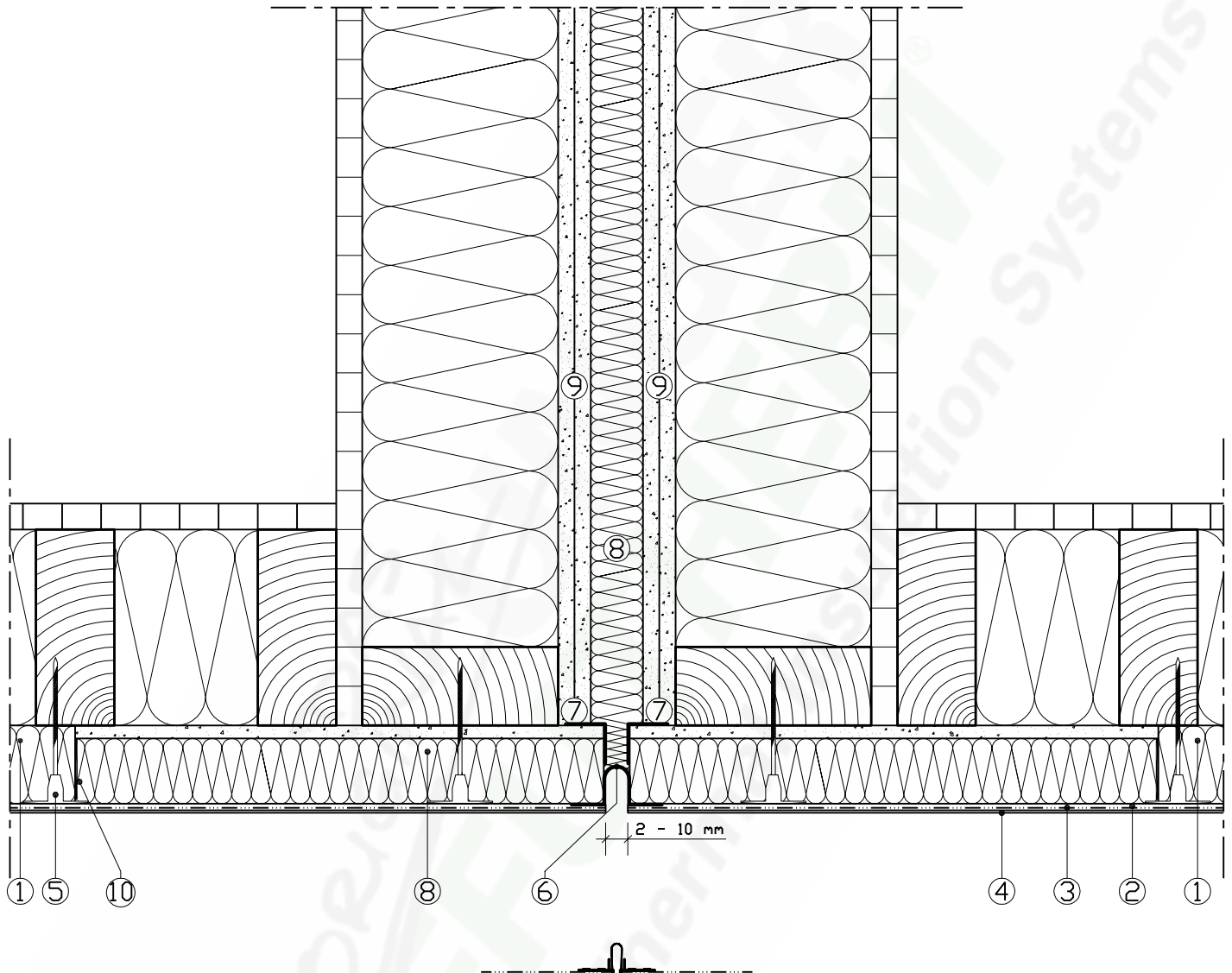
Date: 27.08.2009

The technical information provided in this document reflects our current state of knowledge and experience. We reserve the right to make any changes we deem necessary to improve the product or its application and installation. The information contained within this document supersedes all previously dated documents and the information contained within them is herewith invalid.

NR 3.03

**Udi**UNGER  
**DIFFUTHERM**  
Innovative Thermal Insulation Systems

# Building partition (party) wall - Semi-detached house F90



- 1 - **UdiUNGER DIFFUTHERM NF**  
Wood-fibre insulation element
- 2 - **UdiFOUNDATION COAT**
- 3 - **UdiREINFORCEMENT** Strengthening Mesh
- 4 - **UdiPERL** Structured Fine Render
- 5 - **UdiASSEMBLY** Insulation Render Screw
- 6 - **UdiREINFORCEMENT** Expansion Joint Profile
- 7 - **UdiREINFORCEMENT** Corner Protection Profile
- 8 - Mineral Fibre A1 (Non-flammable)
- 9 - Gypsum fibre boards 12.5 mm per board

>= 50 cm

10 - Bonding using **UdiDispersion** Adhesive

Attention!

The intersections between the mineral fibre insulation and the **UdiUNGER DIFFUTHERM NF** must be strengthened using additional reinforcement strips (min. 30 cm).

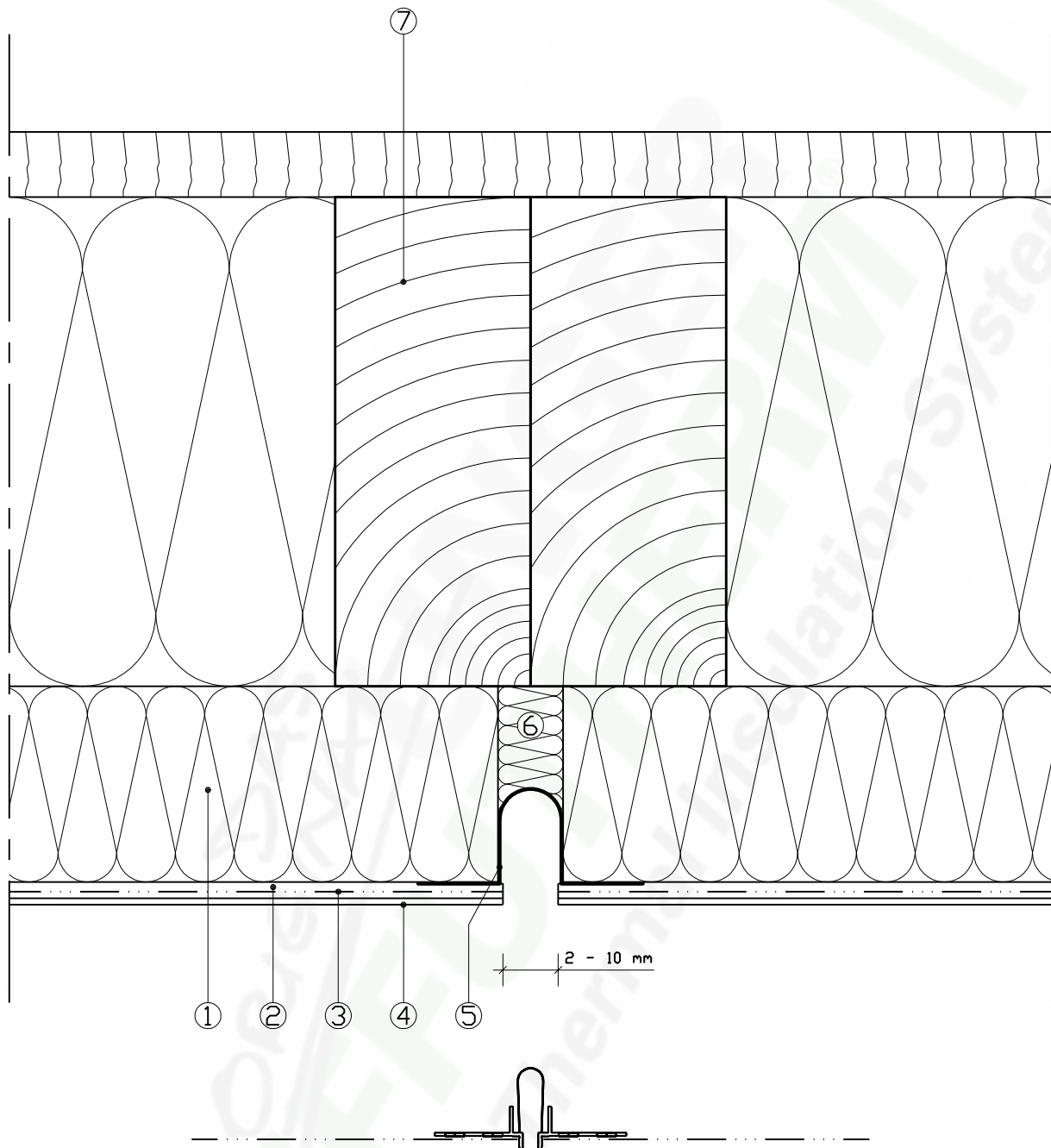
Date: 27.08.2009

The technical information provided in this document reflects our current state of knowledge and experience. We reserve the right to make any changes we deem necessary to improve the product or its application and installation. The information contained within this document supersedes all previously dated documents and the information contained within them is herewith invalid.

**NR 3.02**

**UdiUNGER**  
**DIFFUTHERM**  
Innovative Thermal Insulation Systems

# Structurally-related expansion joint Continuous wall area (Length > 18m)



- 1 - **Udi**UNGER DIFFUTHERM NF Wood-fibre insulation element
- 2 - **Udi**FOUNDATION COAT
- 3 - **Udi**REINFORCEMENT Strengthening Mesh
- 4 - **Udi**PERL Structured Fine Render
- 5 - **Udi**REINFORCEMENT Expansion Joint Profile
- 6 - Insulation strips
- 7 - Substrate (e.g. masonry or timber frame)

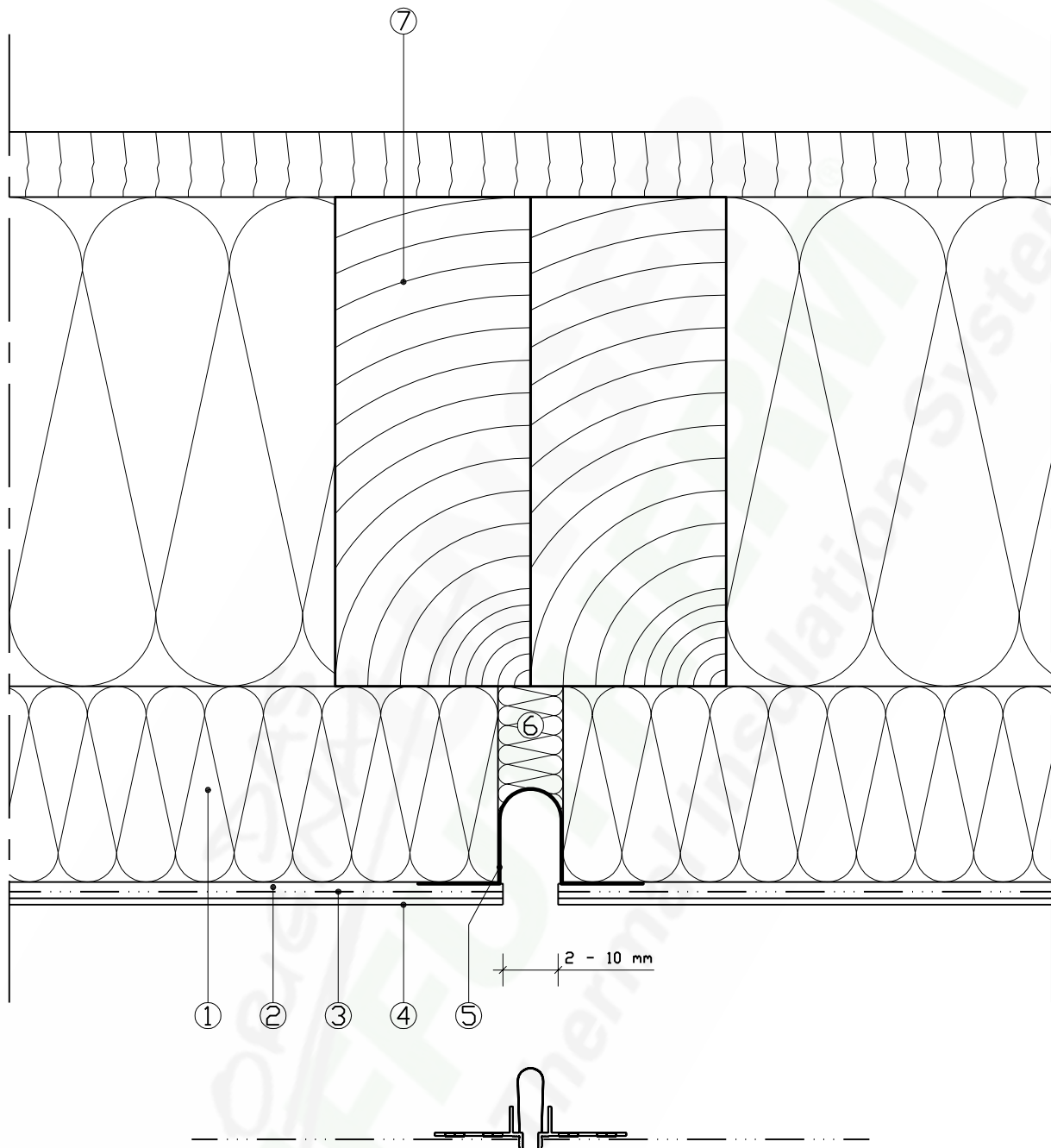
Date: 27.08.2009

The technical information provided in this document reflects our current state of knowledge and experience. We reserve the right to make any changes we deem necessary to improve the product or its application and installation. The information contained within this document supersedes all previously dated documents and the information contained within them is herewith invalid.

NR 3.03

**Udi**UNGER  
**DIFFUTHERM**  
Innovative Thermal Insulation Systems

# Structurally-related expansion joint Continuous wall area (Length > 18m)



- 1 - **Udi**UNGER **DIFFUTHERM** NF Wood-fibre insulation element
- 2 - **Udi**FOUNDATION COAT
- 3 - **Udi**REINFORCEMENT Strengthening Mesh
- 4 - **Udi**PERL Structured Fine Render
- 5 - **Udi**REINFORCEMENT Expansion Joint Profile
- 6 - Insulation strips
- 7 - Substrate (e.g. masonry or timber frame)

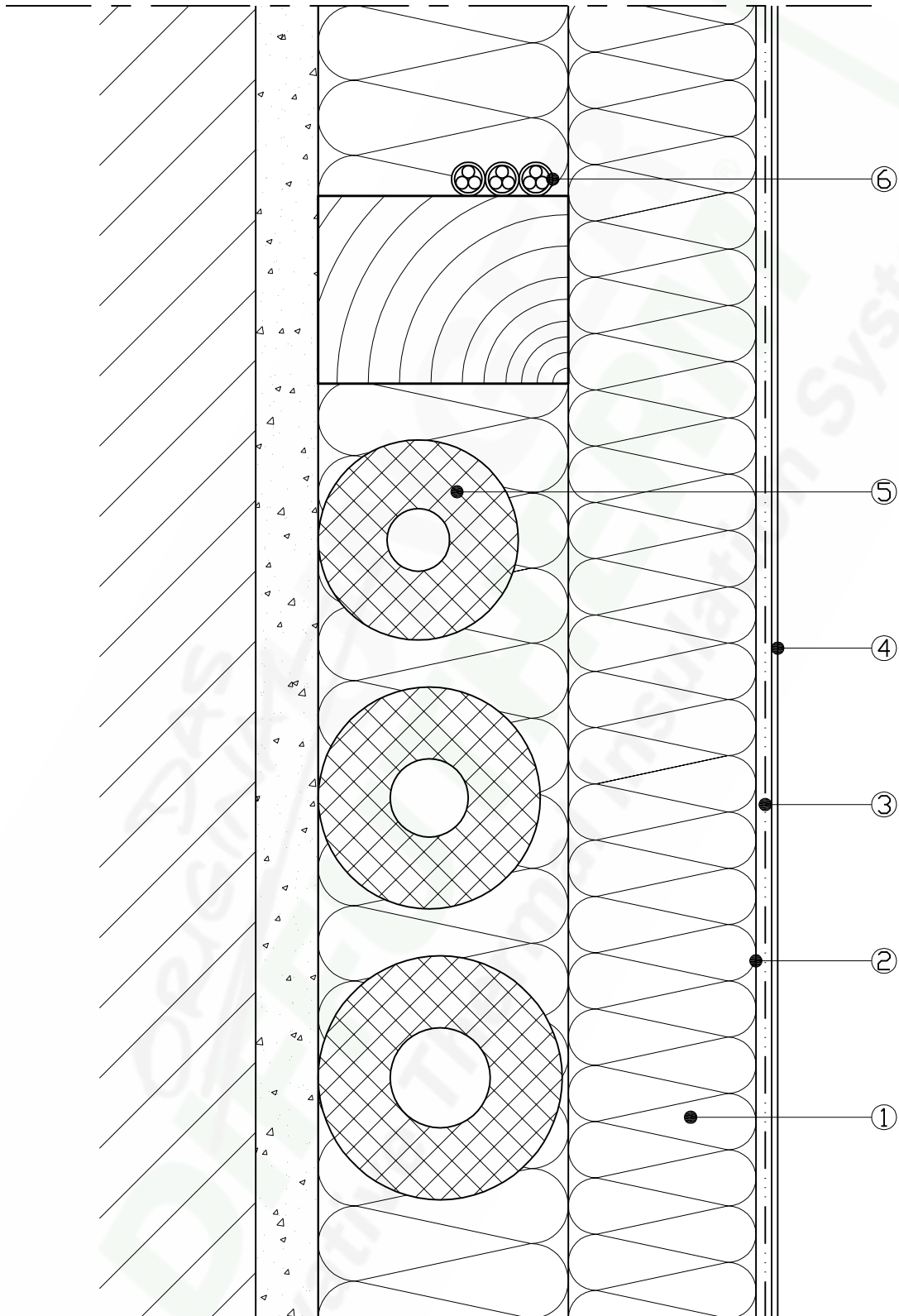
Date: 27.08.2009

The technical information provided in this document reflects our current state of knowledge and experience. We reserve the right to make any changes we deem necessary to improve the product or its application and installation. The information contained within this document supersedes all previously dated documents and the information contained within them is herewith invalid.

NR 3.03

**DAS ORIGINAL**  
**UNGER**  
**DIFFUTHERM**  
Innovative Thermal Insulation Systems

# Insulation of utility services compartments - with electrical cables and pipework for fluids



- 1 - **Udi**UNGER DIFFUTHERM NF Wood-fibre insulation element
- 2 - **Udi**FOUNDATION COAT
- 3 - **Udi**REINFORCEMENT Strengthening Mesh
- 4 - **Udi**PERL Structured Fine Render
- 5 - Pipework
- 6 - Electrical cables

Date: 27.08.2009

The technical information provided in this document reflects our current state of knowledge and experience. We reserve the right to make any changes we deem necessary to improve the product or its application and installation. The information contained within this document supersedes all previously dated documents and the information contained within them is herewith invalid.

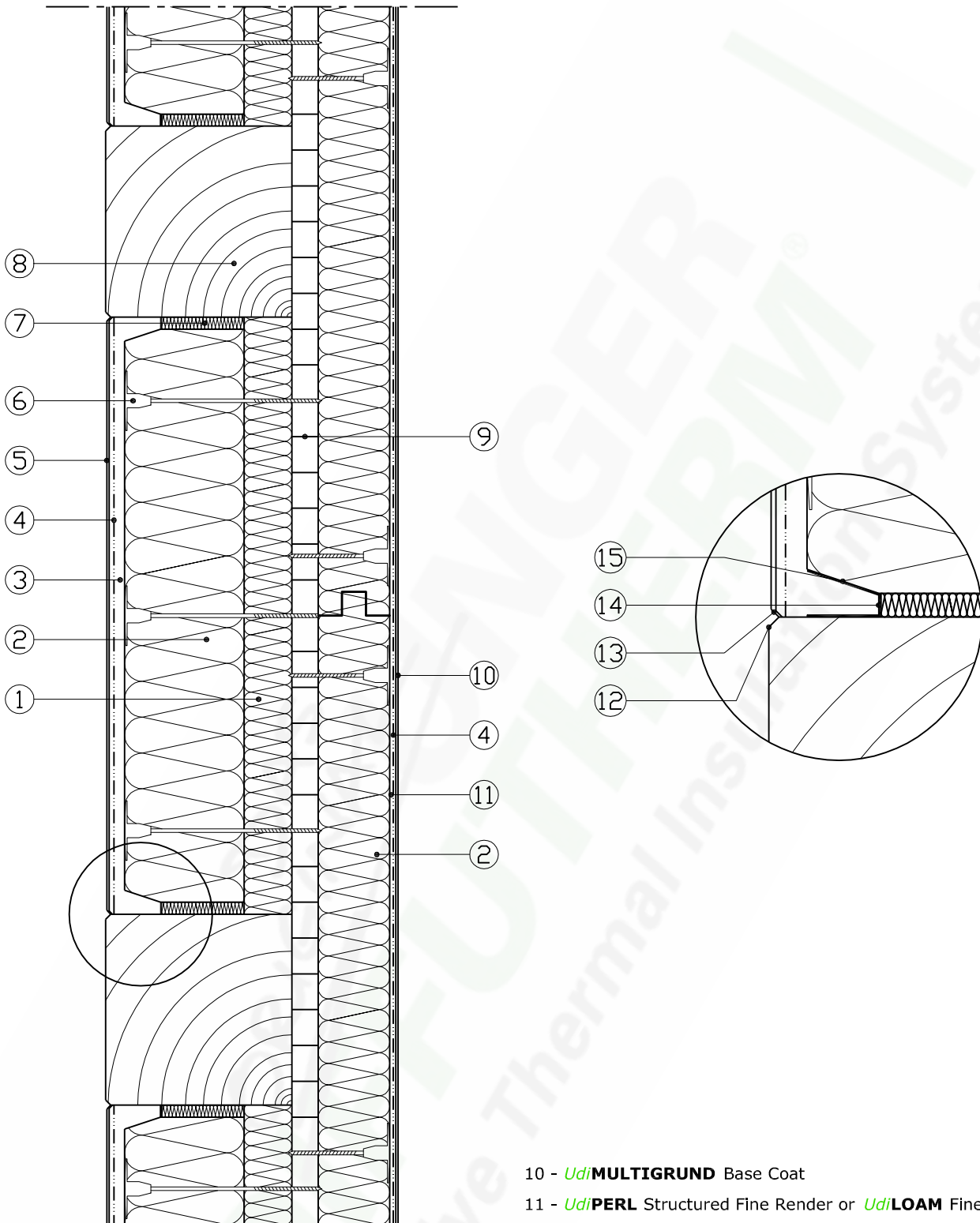
NR 3.04





# Half-timbered structures

## Interior and compartment infill insulation



- 1 - **Udi**UNGER DIFFUTHERM SK Wood-fibre insulation element
- 2 - **Udi**UNGER DIFFUTHERM NF Wood-fibre insulation element
- 3 - **Udi**FOUNDATION COAT
- 4 - **Udi**REINFORCEMENT Strengthening Mesh
- 5 - **Udi**PERL Structured Fine Render
- 6 - **Udi**ASSEMBLY Insulation Render Screw
- 7 - Wood-fibre or flax wadding
- 8 - Timber beams
- 9 - Wood-based board (e.g. OSB)

- 10 - **Udi**MULTIGRUND Base Coat
- 11 - **Udi**PERL Structured Fine Render or **Udi**LOAM Fine Render
- 12 - 45° chamfer on the timber beam
- 13 - Trowel cut (notch)
- 14 - Coating using **Udi**Dispersion Adhesive (uninterrupted coating from the timber beam via the wadding to the wood-fibre insulation element)
- 15 - Chamfer on the **Udi**UNGER DIFFUTHERM NF Wood-fibre insulation element

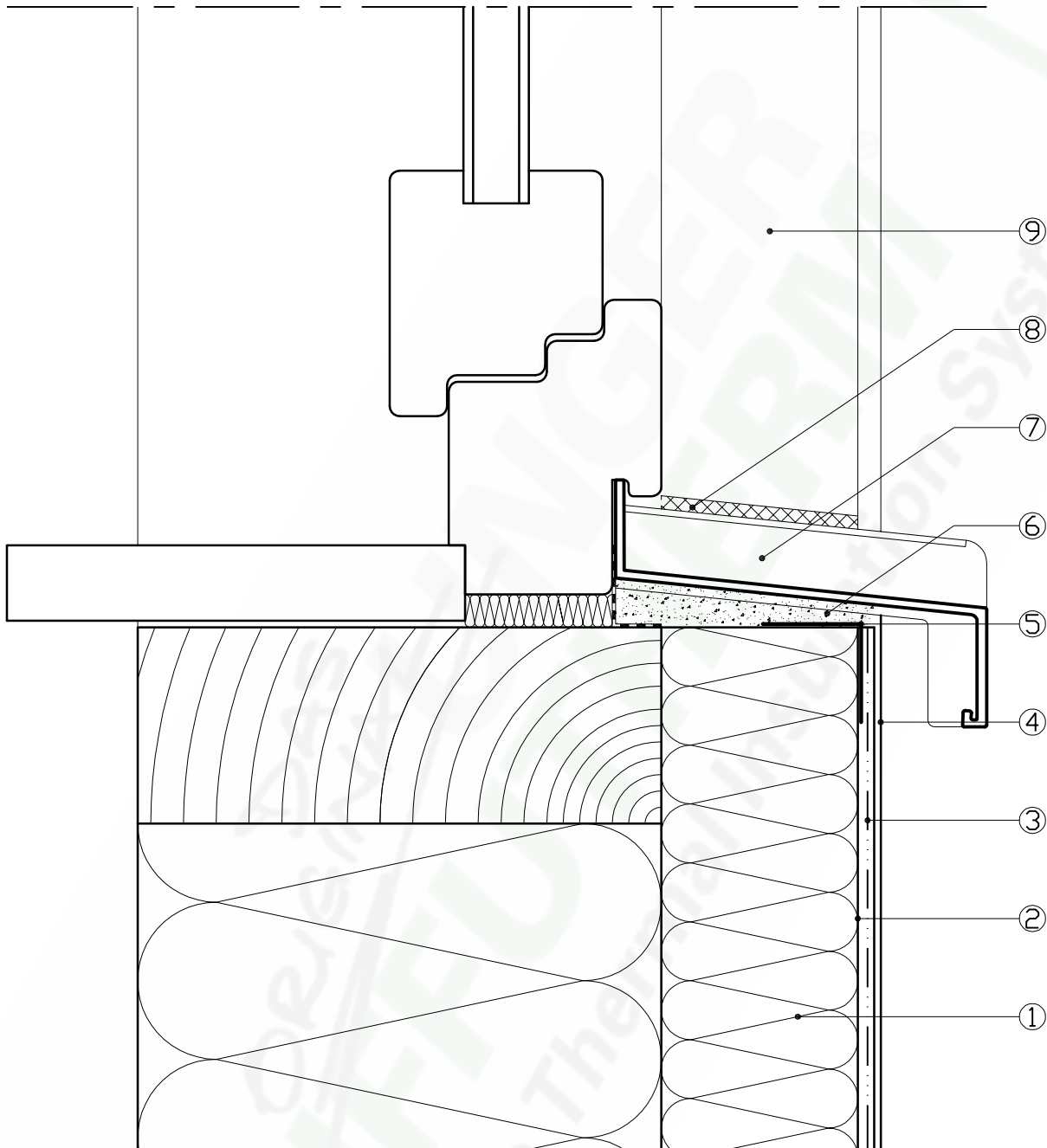
Date: 27.08.2009

The technical information provided in this document reflects our current state of knowledge and experience. We reserve the right to make any changes we deem necessary to improve the product or its application and installation. The information contained within this document supersedes all previously dated documents and the information contained within them is herewith invalid.

NR 3.05



# Window area installation with an aluminium sill



- 1 - **UdiUNGER DIFFUTHERM** NF Wood-fibre insulation element
- 2 - **UdiFOUNDATION COAT**
- 3 - **UdiREINFORCEMENT** Strengthening Mesh
- 4 - **UdiPERL** Structured Fine Render
- 5 - **UdiREINFORCEMENT** Corner Protection Profile
- 6 - **UdiFOUNDATION COAT**
- 7 - **UdiALU** Side Piece - Expandable. With a waterproof expansion compensator
- 8 - **UdiJOINTING TAPE**
- 9 - **UdiUNGER DIFFUTHERM** L Reveal Insulation Board

Date: 27.08.2009

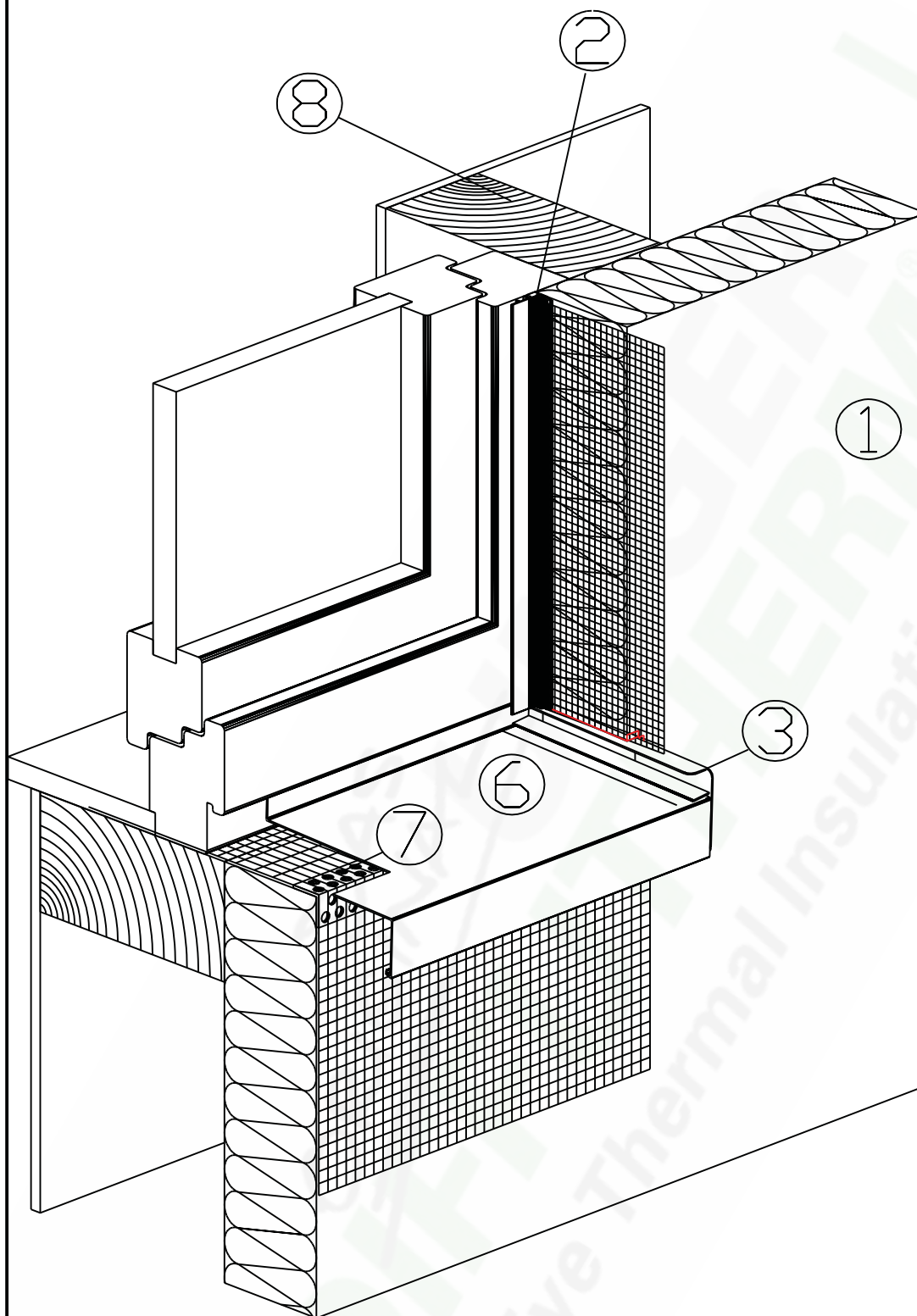
The technical information provided in this document reflects our current state of knowledge and experience. We reserve the right to make any changes we deem necessary to improve the product or its application and installation. The information contained within this document supersedes all previously dated documents and the information contained within them is herewith invalid.

NR 4.01

**DAS ORIGINAL**  
**UNGER**  
**DIFFUTHERM**  
Innovative Thermal Insulation Systems

# Window area installation

- Alu window sill sealing without expansion compensation -



- 1 - Udi UNGER DIFFUTHERM NF Wood-fibre insulation element
- 2 - Udi REINFORCEMENT Render Edging Strip LATE
- 3 - Udi ALU Side Piece - Concealed
- 4 - Udi ALU Side Piece - Surface mounted
- 5 - Udi JOINTING TAPE
- 6 - Udi ALU Window Sill
- 7 - Udi REINFORCEMENT Corner Protection Profile
- 8 - Substrate (e.g. Timber frame)

## Attention!

The contact surfaces between the Udi UNGER DIFFUTHERM NF Wood-fibre insulation element and the window frame/ the adjacent building elements (timber frame, masonry) must be bonded using Udi Dispersion Adhesive.

Date: 27.08.2009

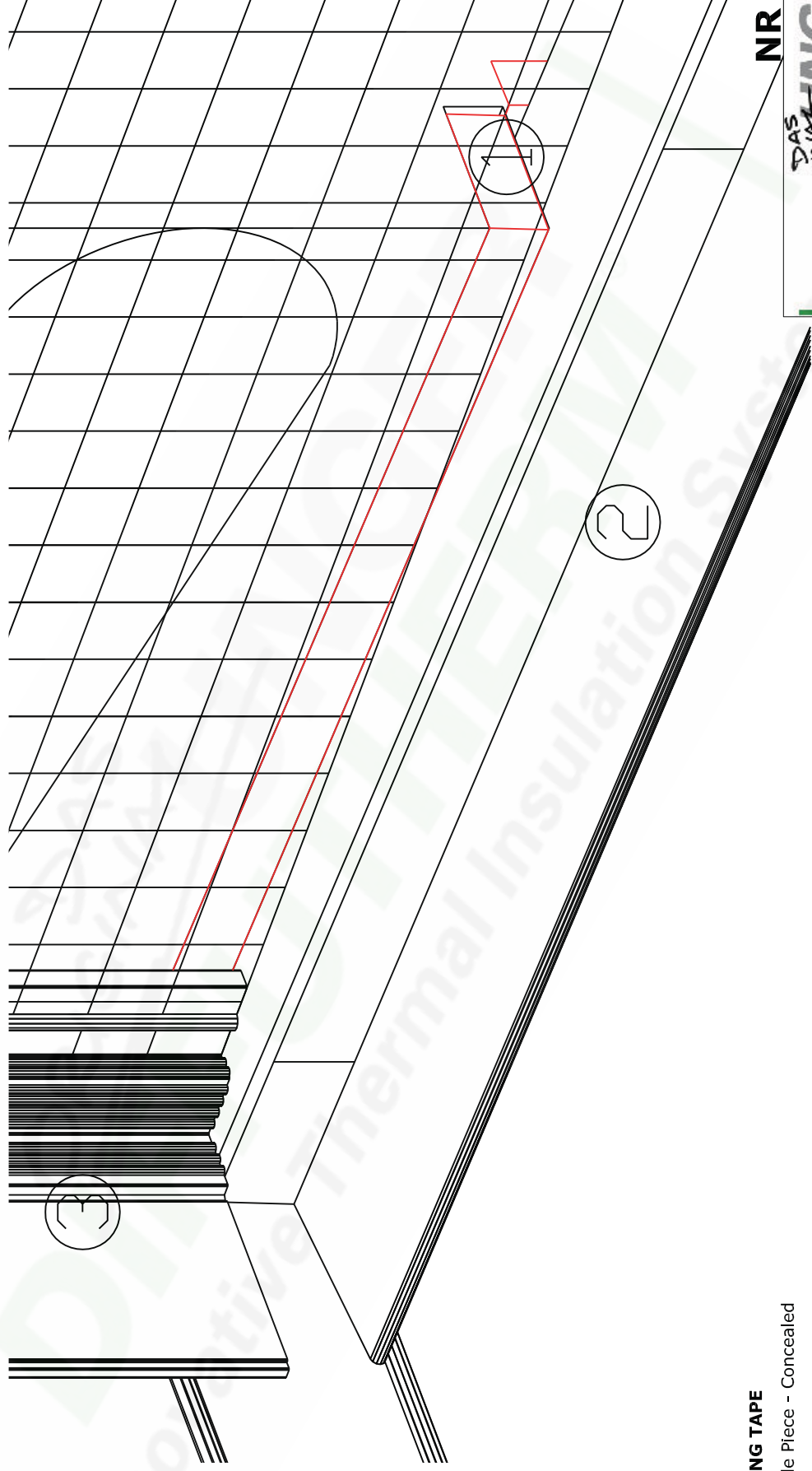
The technical information provided in this document reflects our current state of knowledge and experience. We reserve the right to make any changes we deem necessary to improve the product or its application and installation. The information contained within this document supersedes all previously dated documents and the information contained within them is herewith invalid.

NR 4.02

**DAS ORIGINAL**  
**UNGER**  
**DIFFUTHERM**  
Innovative Thermal Insulation Systems

# Window area installation

- Alu window sill sealing without expansion compensation -



1 - *Udi* JOINTING TAPE

2 - *Udi* ALU Side Piece - Concealed

3 - *Udi* REINFORCEMENT Render Edging Strip LATE

**Date: 27.08.2009**

The technical information provided in this document reflects our current state of knowledge and experience. We reserve the right to make any changes we deem necessary to improve the product or its application and installation. The information contained within this document supersedes all previously dated documents and the information contained within them is herewith invalid.

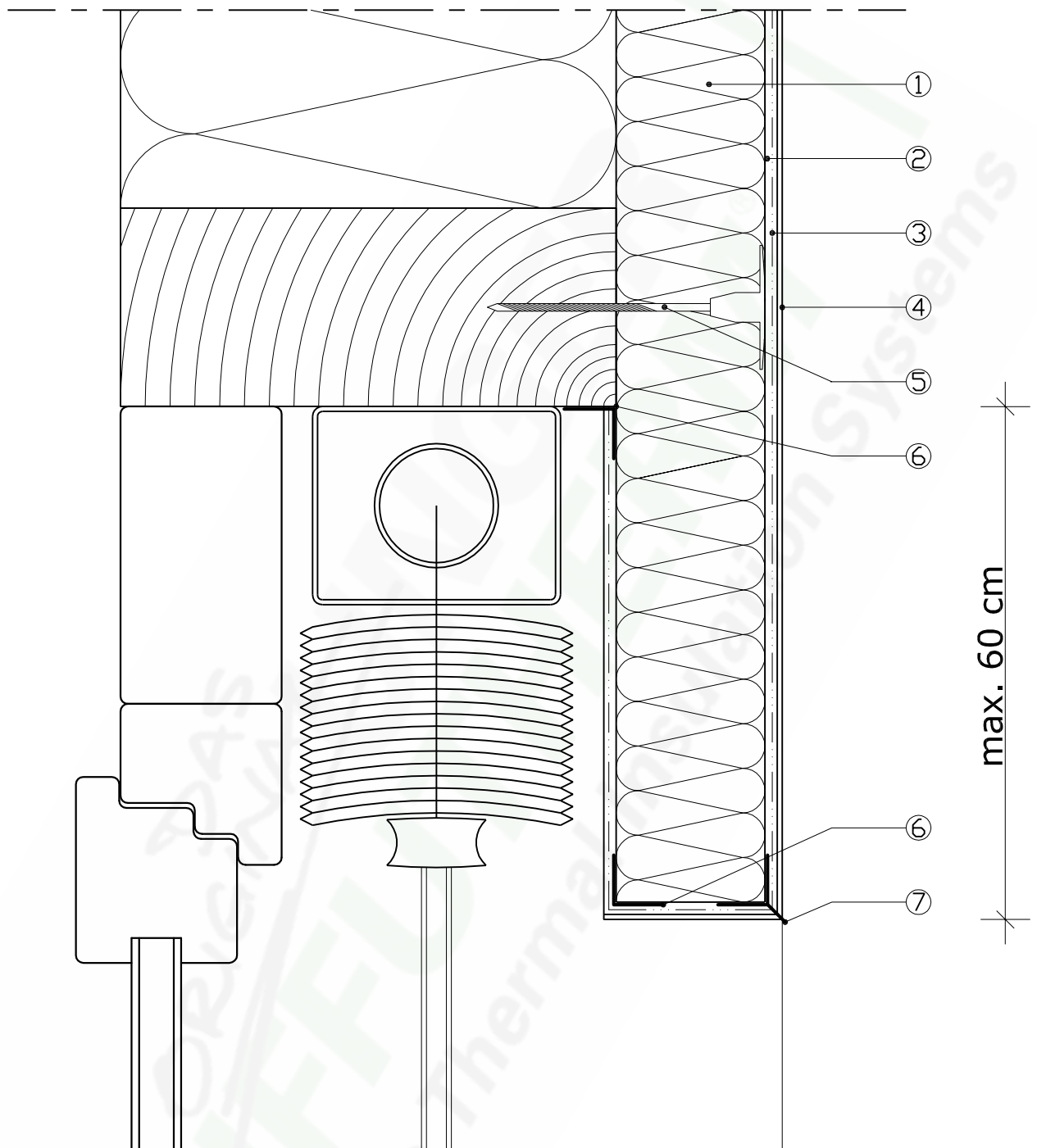
NR 4.02a

DAS  
ORIGINAL

**DIFFUTHERM**

Innovative Thermal Insulation Systems

# Window area installation with an external, concealed blind system



max. 60 cm

- 1 - **UdiUNGER DIFFUTHERM** NF Wood-fibre insulation element
- 2 - **UdiFOUNDATION COAT**
- 3 - **UdiREINFORCEMENT** Strengthening Mesh
- 4 - **UdiPERL** Structured Fine Render
- 5 - **UdiASSEMBLY** Insulation Render Screw
- 6 - **UdiREINFORCEMENT** Corner Protection Profile
- 7 - **UdiREINFORCEMENT** Drip Edge Profile

Date: 27.08.2009

The technical information provided in this document reflects our current state of knowledge and experience. We reserve the right to make any changes we deem necessary to improve the product or its application and installation. The information contained within this document supersedes all previously dated documents and the information contained within them is herewith invalid.

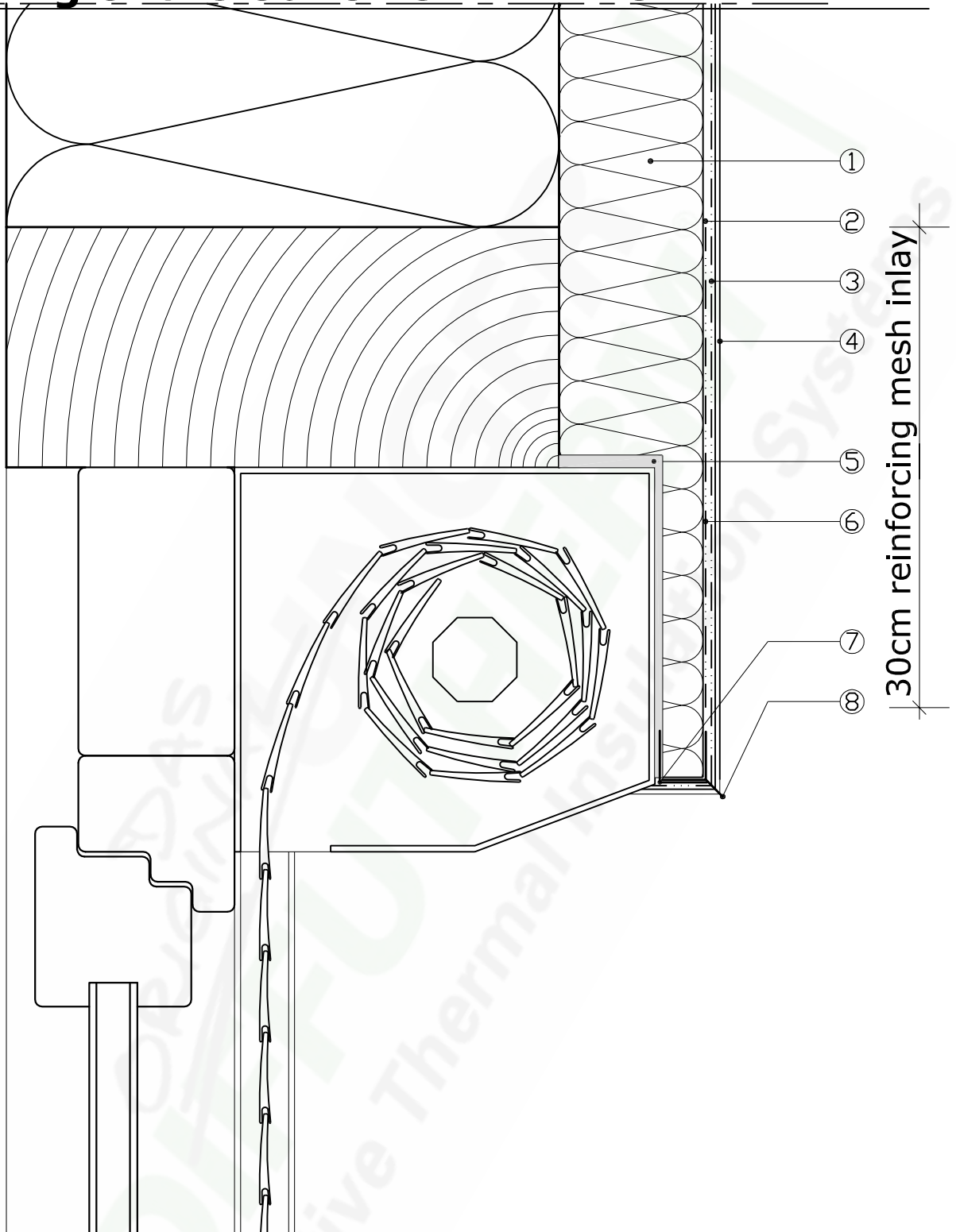
NR 4.03





# Window area installation with an external, concealed roller shutter

## - Coping of the Udi UNGER DIFFUTHERM NF -



- 1 - **Udi**UNGER DIFFUTHERM NF Wood-fibre insulation element
- 2 - **Udi**FOUNDATION COAT
- 3 - **Udi**REINFORCEMENT Strengthening Mesh
- 4 - **Udi**PERL Structured Fine Render
- 5 - **Udi**DISPERSION ADHESIVE
- 6 - **Udi**REINFORCEMENT Strengthening Mesh Strips (Double layered)
- 7 - **Udi**REINFORCEMENT Corner Protection Profile
- 8 - **Udi**REINFORCEMENT Drip Edge Profile for recessed features

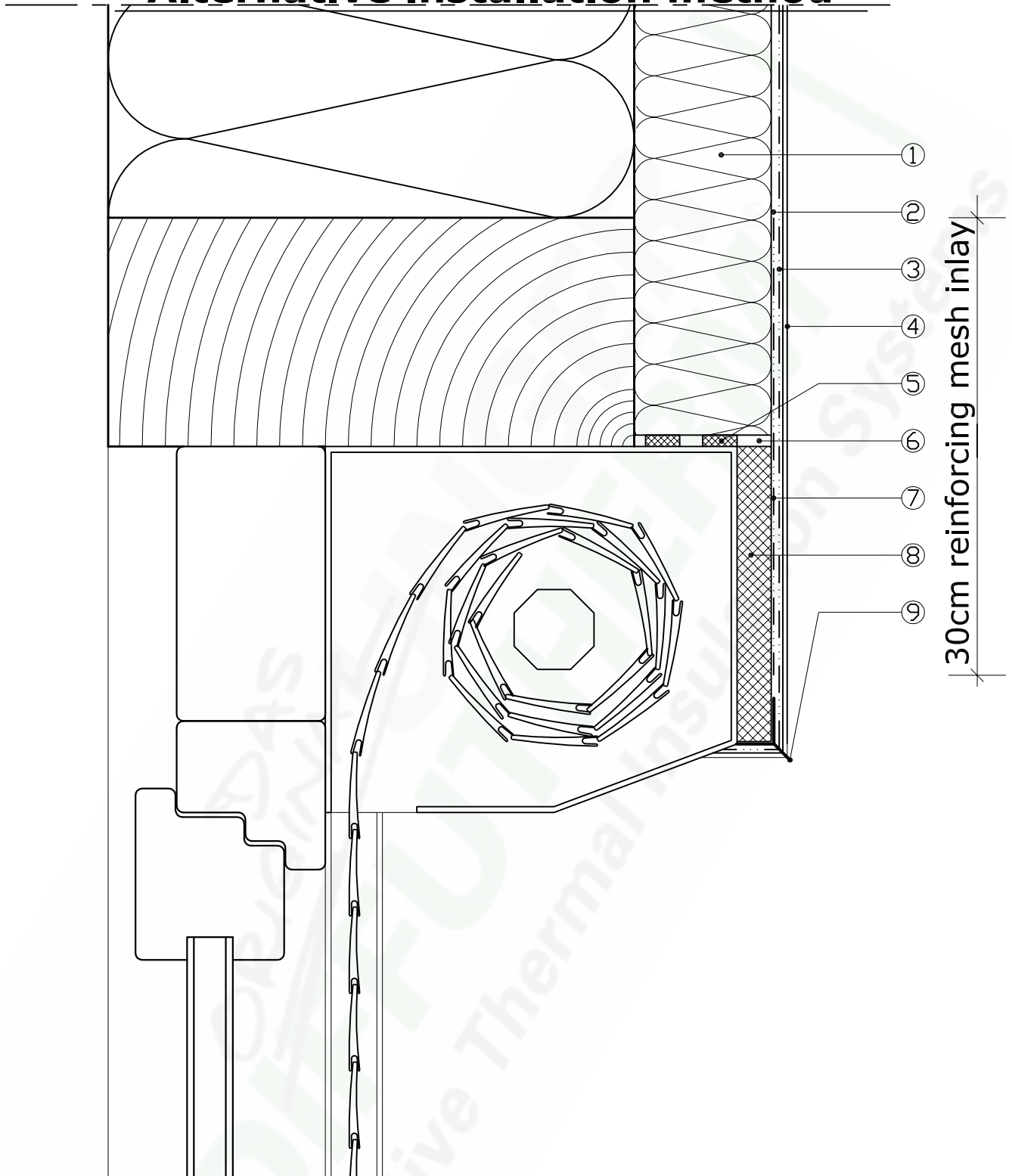
Date: 28.08.2009

The technical information provided in this document reflects our current state of knowledge and experience. We reserve the right to make any changes we deem necessary to improve the product or its application and installation. The information contained within this document supersedes all previously dated documents and the information contained within them is herewith invalid.

NR 4.04

# Window area installation with an external, concealed roller shutter

## - Alternative installation method -



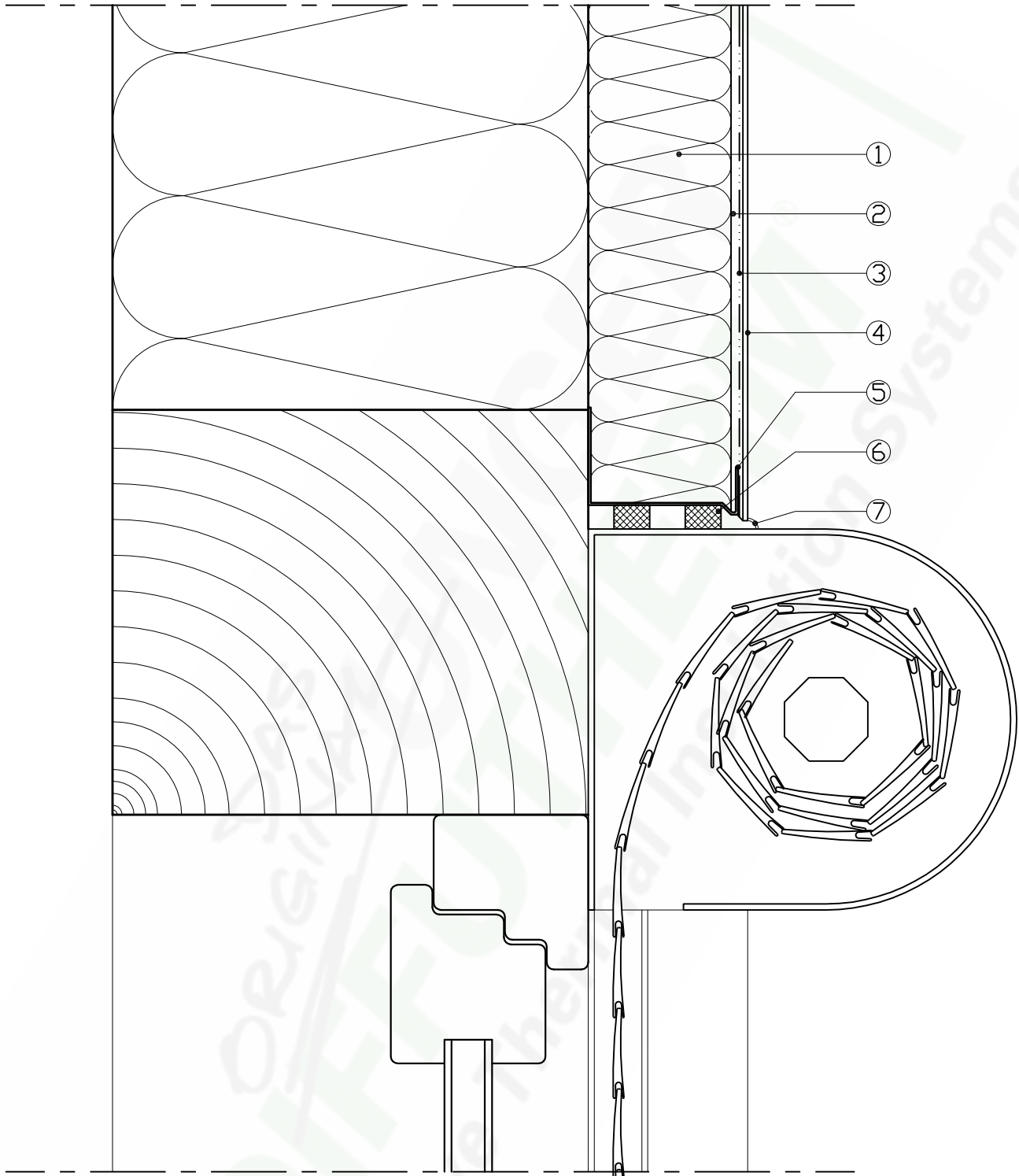
30cm reinforcing mesh inlay

- |   |  |
|---|--|
| 1 - <b>Udi</b> UNGER <b>DIFFUTHERM</b> NF Wood-fibre insulation element | 8 - Lightweight wood-wool board insulation                           |
| 2 - <b>Udi</b> FOUNDATION COAT  | 9 - <b>Udi</b> REINFORCEMENT Drip Edge Profile for recessed features |
| 3 - <b>Udi</b> REINFORCEMENT Strengthening Mesh                         |  |
| 4 - <b>Udi</b> PERL Structured Fine Render                              |  |
| 5 - <b>Udi</b> JOINTING TAPE  |  |
| 6 - Joint connection bonding <b>Udi</b> DISPERSION ADHESIVE             |  |
| 7 - <b>Udi</b> REINFORCEMENT Strengthening Mesh Strips (Double layered) |  |

Date: 28.08.2009

The technical information provided in this document reflects our current state of knowledge and experience. We reserve the right to make any changes we deem necessary to improve the product or its application and installation. The information contained within this document supersedes all previously dated documents and the information contained within them is herewith invalid.

# Window area installation with an external, projecting roller shutter

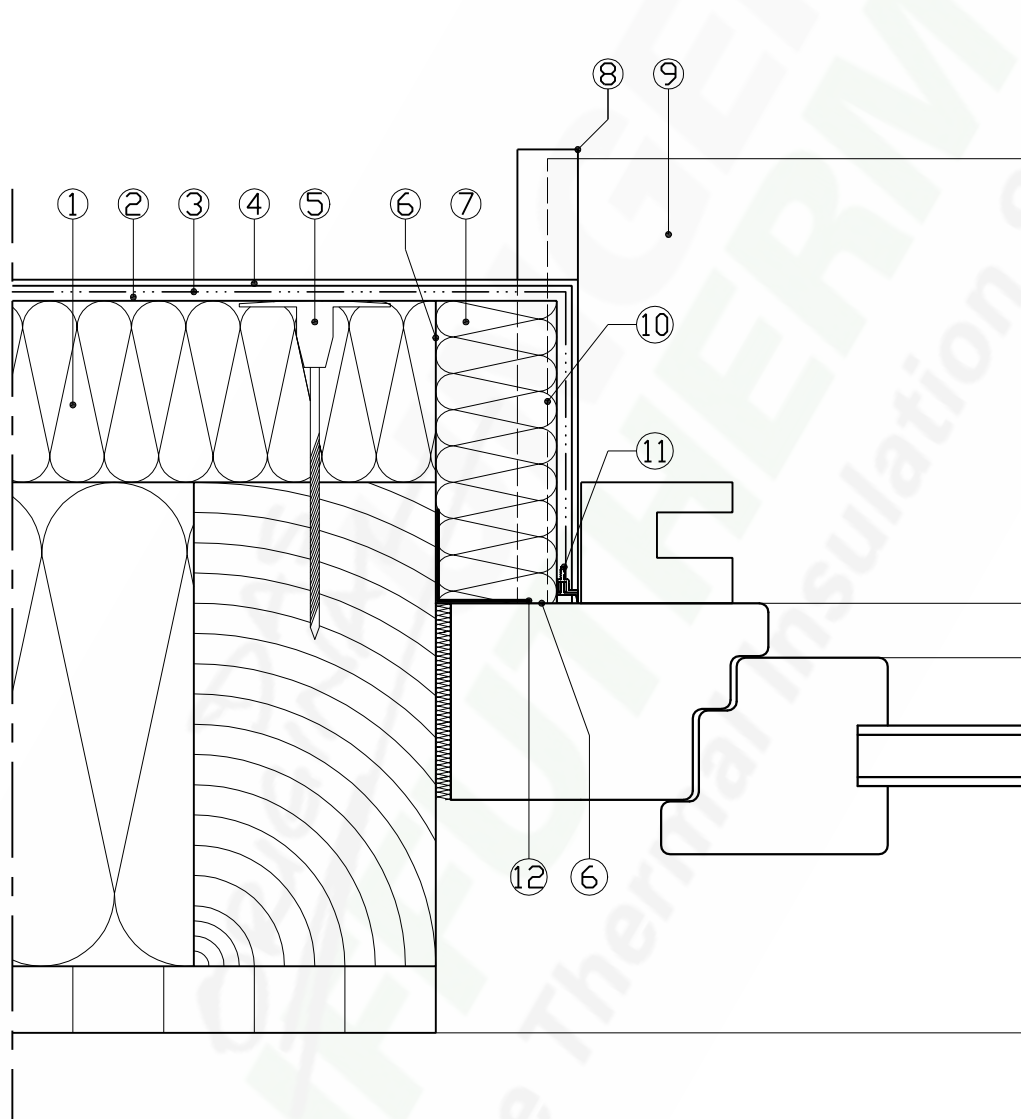


- 1 - **UdiUNGER DIFFUTHERM** NF Wood-fibre insulation element
- 2 - **UdiFOUNDATION COAT**
- 3 - **UdiREINFORCEMENT** Strengthening Mesh
- 4 - **UdiPERL** Structured Fine Render
- 5 - **UdiBASE** Plinth End Cap Profile including Udi BASE Plinth Edging Strip
- 6 - **UdiJOINTING TAPE**
- 7 - Gap sealed using a polyurethane sealant

Date: 28.08.2009

The technical information provided in this document reflects our current state of knowledge and experience. We reserve the right to make any changes we deem necessary to improve the product or its application and installation. The information contained within this document supersedes all previously dated documents and the information contained within them is herewith invalid.

# Window sill installation with an external, roller shutter guide rail - View from above-

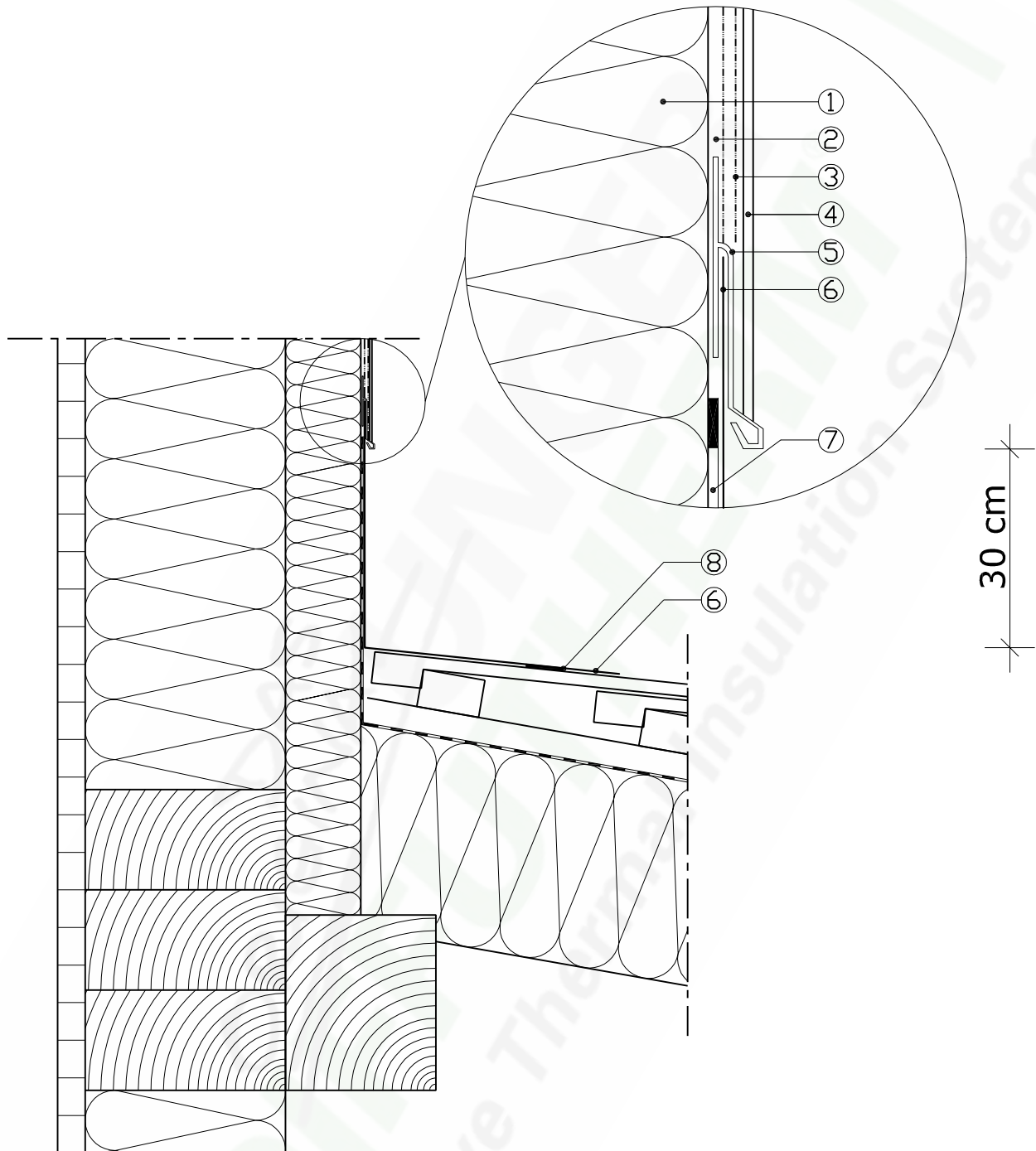


- |   |   |
|---|---|
| 1 - <b>UdiUNGER DIFFUTHERM</b> NF Wood-fibre insulation element     | 9 - <b>UdiALU</b> Window Sill                         |
| 2 - <b>UdiFOUNDATION COAT</b>                                       | 10 - <b>UdiJOINTING TAPE</b>                          |
| 3 - <b>UdiREINFORCEMENT</b> Strengthening Mesh                      | 11 - <b>UdiREINFORCEMENT</b> Render Edging Strip LATE |
| 4 - <b>UdiPERL</b> Structured Fine Render                           | 12 - <b>UdiSTEAM</b> Tape Elastoflex                  |
| 5 - <b>UdiASSEMBLY</b> Fixing                                       |   |
| 6 - Bonding using <b>UdiDISPERSION ADHESIVE</b>                     |   |
| 7 - <b>UdiUNGER DIFFUTHERM</b> L Reveal Insulation Board 20 or 40mm |   |
| 8 - <b>UdiALU</b> Side Piece - Expandable                           |   |

Date: 28.08.2009

The technical information provided in this document reflects our current state of knowledge and experience. We reserve the right to make any changes we deem necessary to improve the product or its application and installation. The information contained within this document supersedes all previously dated documents and the information contained within them is herewith invalid.

# Installation on a rising wall with a sheet metal edging profile



1 - **UdiUNGER DIFFUTHERM** NF Wood-fibre insulation element

2 - **UdiFOUNDATION COAT**

3 - **UdiREINFORCEMENT** Strengthening Mesh

4 - **UdiPERL** Structured Fine Render

5 - **UdiREINFORCEMENT** Sheet Metal Edging Profile

6 - Sheet metal form-fitted profile

7 - Wind-proof membrane and water run-off layer.

Bonded to the wood-fibre insulation element using **UdiDISPERSION ADHESIVE**

8 - Adhesive bonding

**NR 5.01**

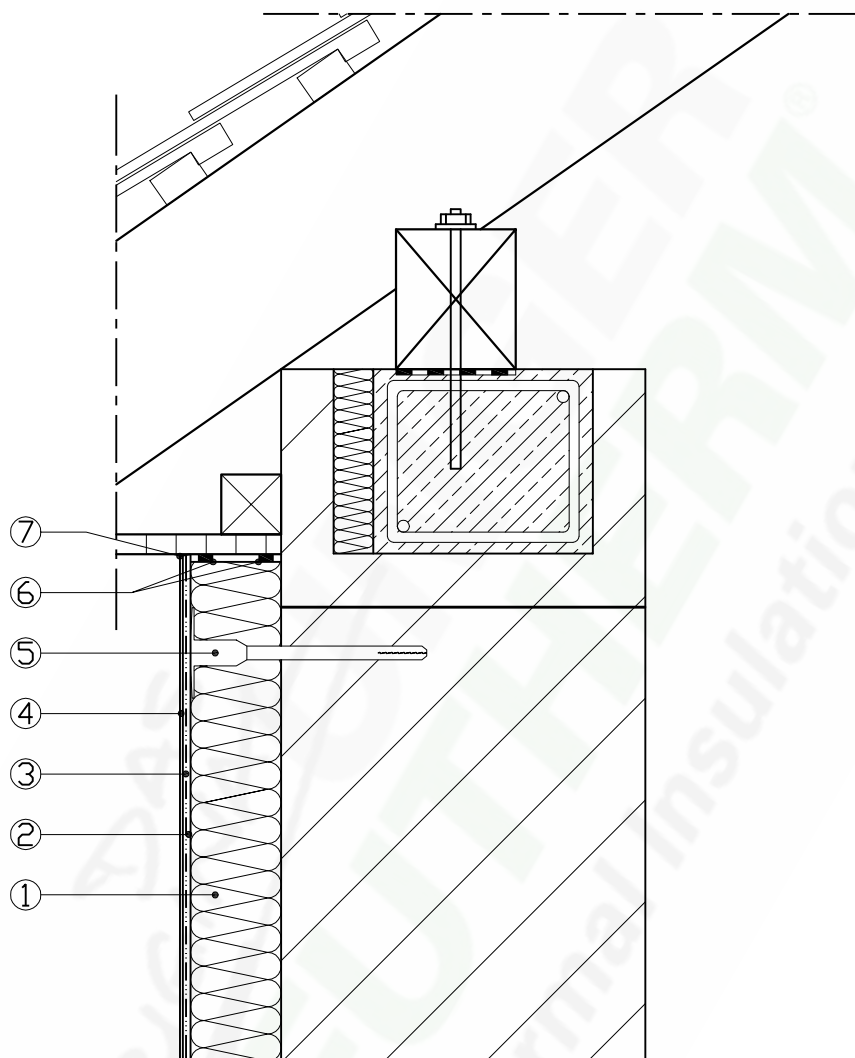
**Date: 28.08.2009**

The technical information provided in this document reflects our current state of knowledge and experience. We reserve the right to make any changes we deem necessary to improve the product or its application and installation. The information contained within this document supersedes all previously dated documents and the information contained within them is herewith invalid.

**DAS ORIGINAL**  
**UNGER**  
**DIFFUTHERM**  
Innovative Thermal Insulation Systems



# Installation below the eaves - soffit board



- 1 - **Udi**UNGER **DIFFUTHERM** NF Wood-fibre insulation element
- 2 - **Udi**FOUNDATION COAT
- 3 - **Udi**REINFORCEMENT Strengthening Mesh
- 4 - **Udi**PERL Structured Fine Render
- 5 - **Udi**ASSEMBLY Fixing
- 6 - **Udi**JOINTING TAPE
- 7 - Trowel cut (notch)

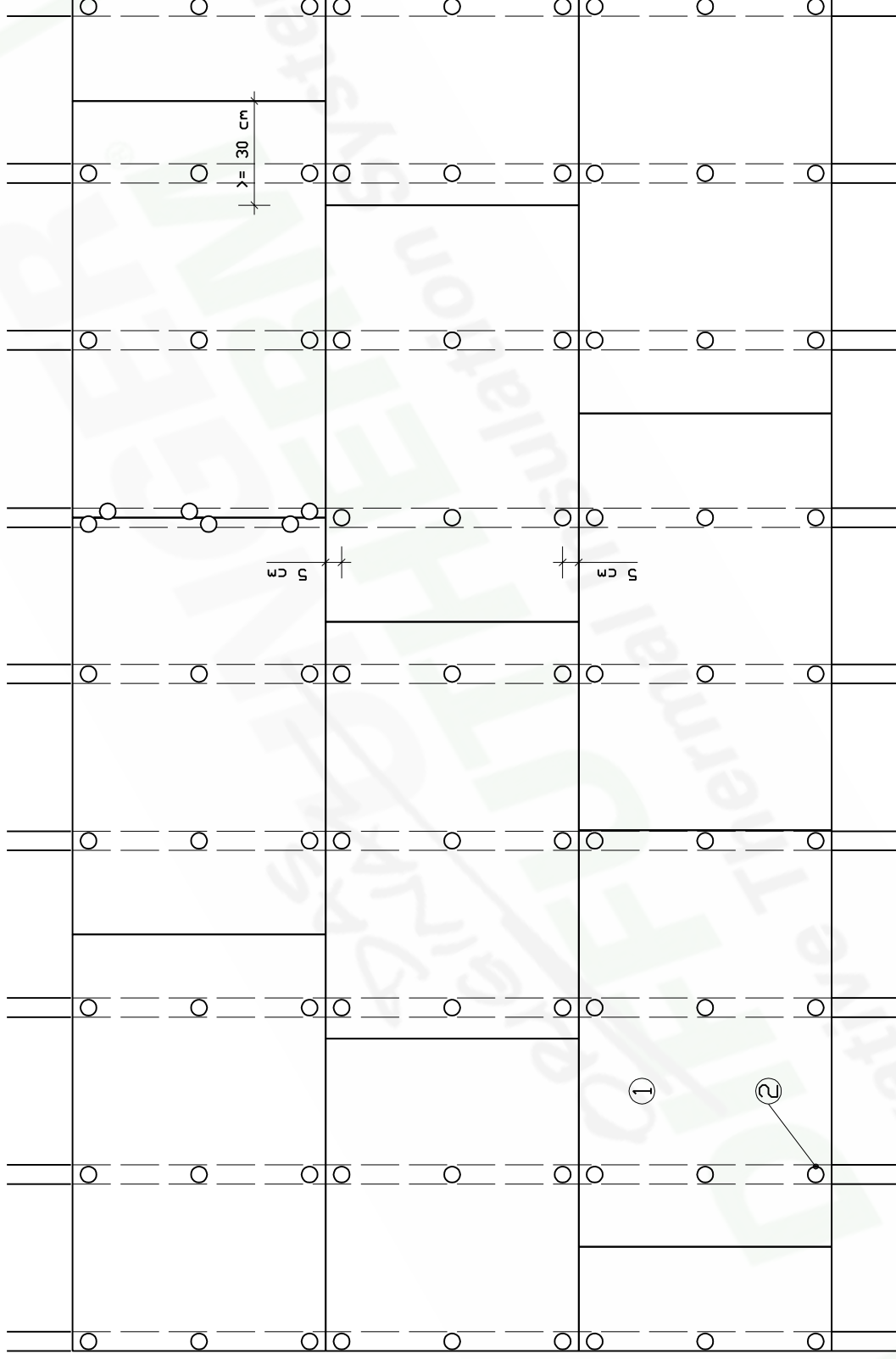
Date: 28.08.2009

The technical information provided in this document reflects our current state of knowledge and experience. We reserve the right to make any changes we deem necessary to improve the product or its application and installation. The information contained within this document supersedes all previously dated documents and the information contained within them is herewith invalid.

NR 5.02

**Udi**UNGER  
**DIFFUTHERM**  
Innovative Thermal Insulation Systems

# Fixing spacing's in timber-framed constructions



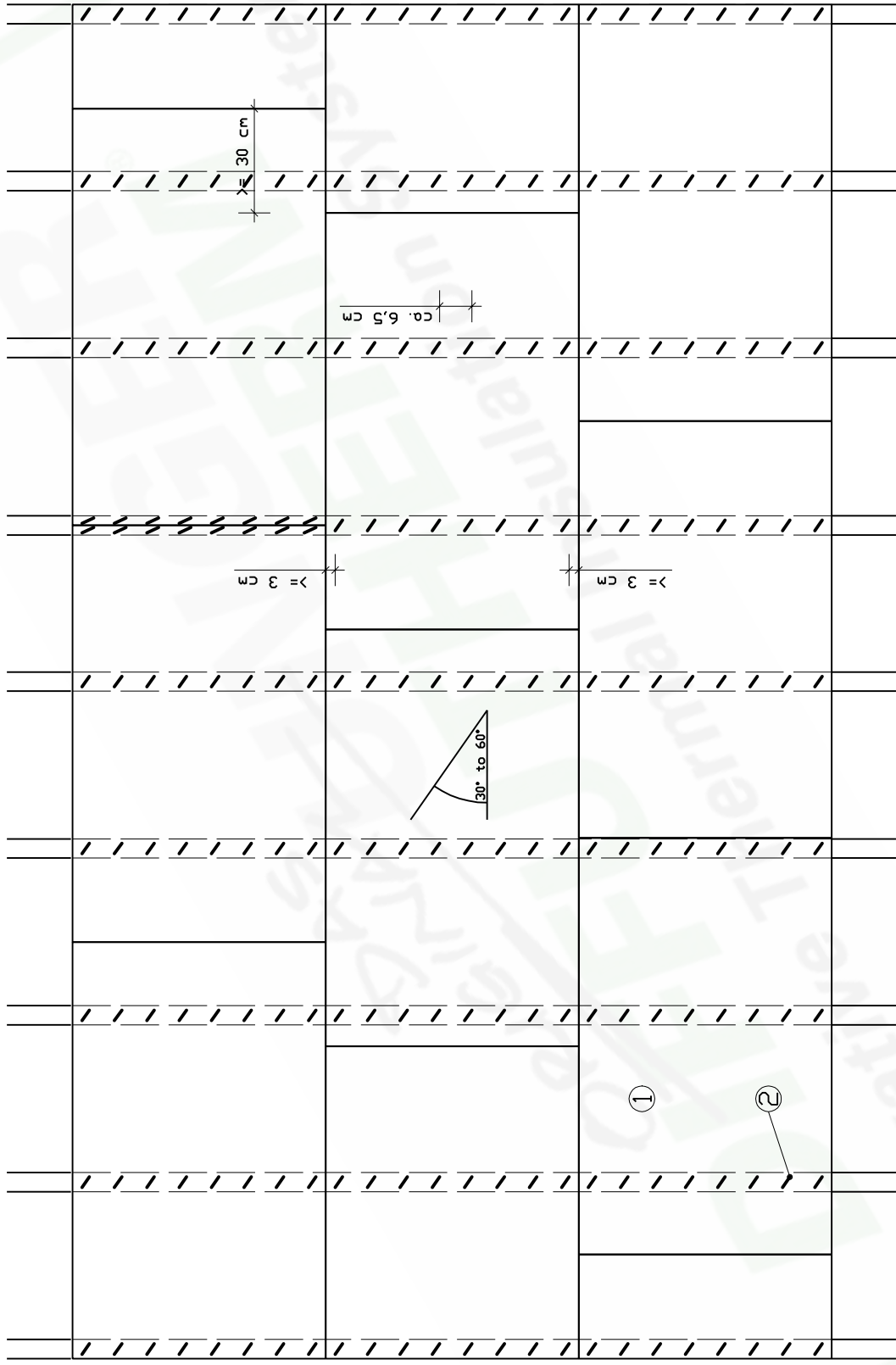
- 1 - **Udi**UNGER **DIFFUTHERM** NF Wood-fibre insulation element
- 2 - **Udi**ASSEMBLY Insulation Nail or Insulation Render Screw

**Date: 28.08.2009**

The technical information provided in this document reflects our current state of knowledge and experience. We reserve the right to make any changes we deem necessary to improve the product or its application and installation. The information contained within this document supersedes all previously dated documents and the information contained within them is herewith invalid.

**NR 6.01**

# Fixing spacing's in timber-framed constructions - Stapling technique -



1 - **Udi**UNGER **DIFFUTHERM** NF Wood-fibre insulation element

2 - **Udi**ASSEMBLY Staples

**Date: 28.08.2009**

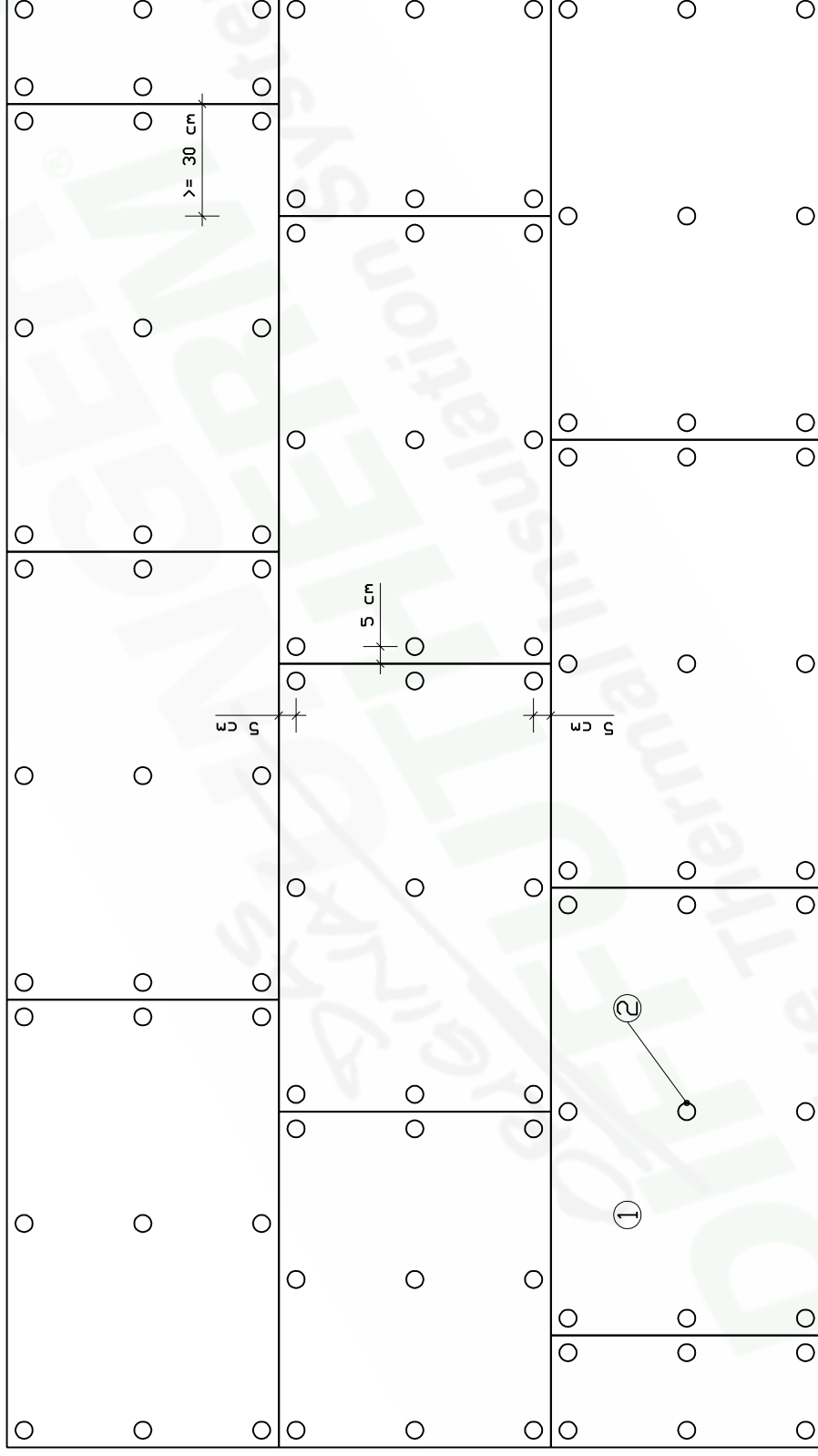
The technical information provided in this document reflects our current state of knowledge and experience. We reserve the right to make any changes we deem necessary to improve the product or its application and installation. The information contained within this document supersedes all previously dated documents and the information contained within them is herewith invalid.

**NR 6.02**

**DAS ORIGINAL**  
**UNGER**  
**DIFFUTHERM**  
Innovative Thermal Insulation Systems

# Fixing spacing's for solid substrates across the entire surface

## - Mineral-based substrates / solid timber -



1 - **Udi**UNGER **DIFFUTHERM** NF Wood-fibre insulation element

2 - **Udi**ASSEMBLY Expanding or Screw Fixing for mineral substrates /

**Udi**ASSEMBLY Insulation Nail or Insulation Render Screw for solid timber

**Date: 28.08.2009**

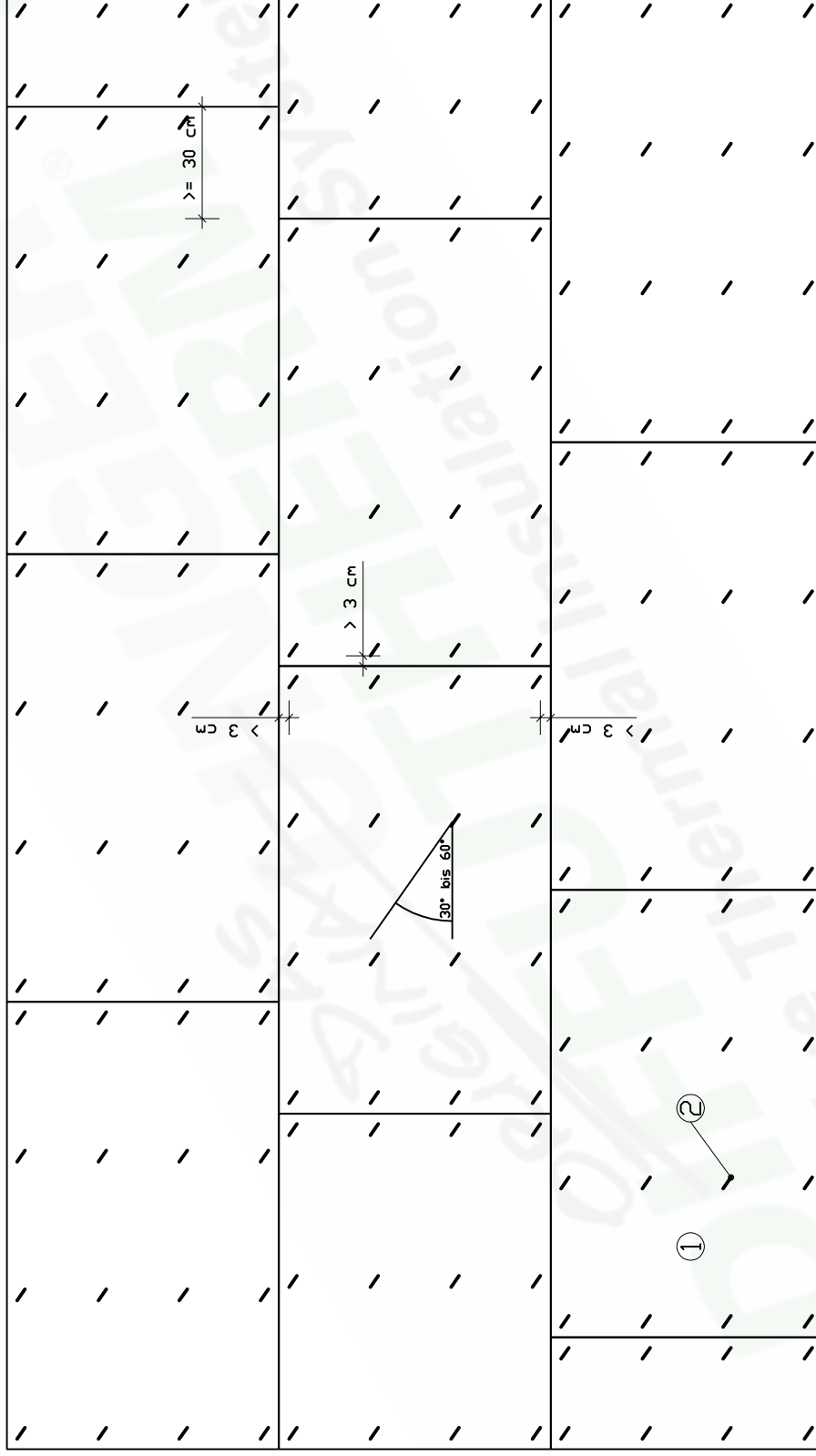
The technical information provided in this document reflects our current state of knowledge and experience. We reserve the right to make any changes we deem necessary to improve the product or its application and installation. The information contained within this document supersedes all previously dated documents and the information contained within them is herewith invalid.

**NR 6.03**



# Fixing spacing's for solid substrates across the entire surface

## - Stapling technique -



1 - **Udi**UNGER **DIFFUTHERM** NF Wood-fibre insulation element

2 - **Udi**ASSEMBLY Staples

**Date: 28.08.2009**

The technical information provided in this document reflects our current state of knowledge and experience. We reserve the right to make any changes we deem necessary to improve the product or its application and installation. The information contained within this document supersedes all previously dated documents and the information contained within them is herewith invalid.

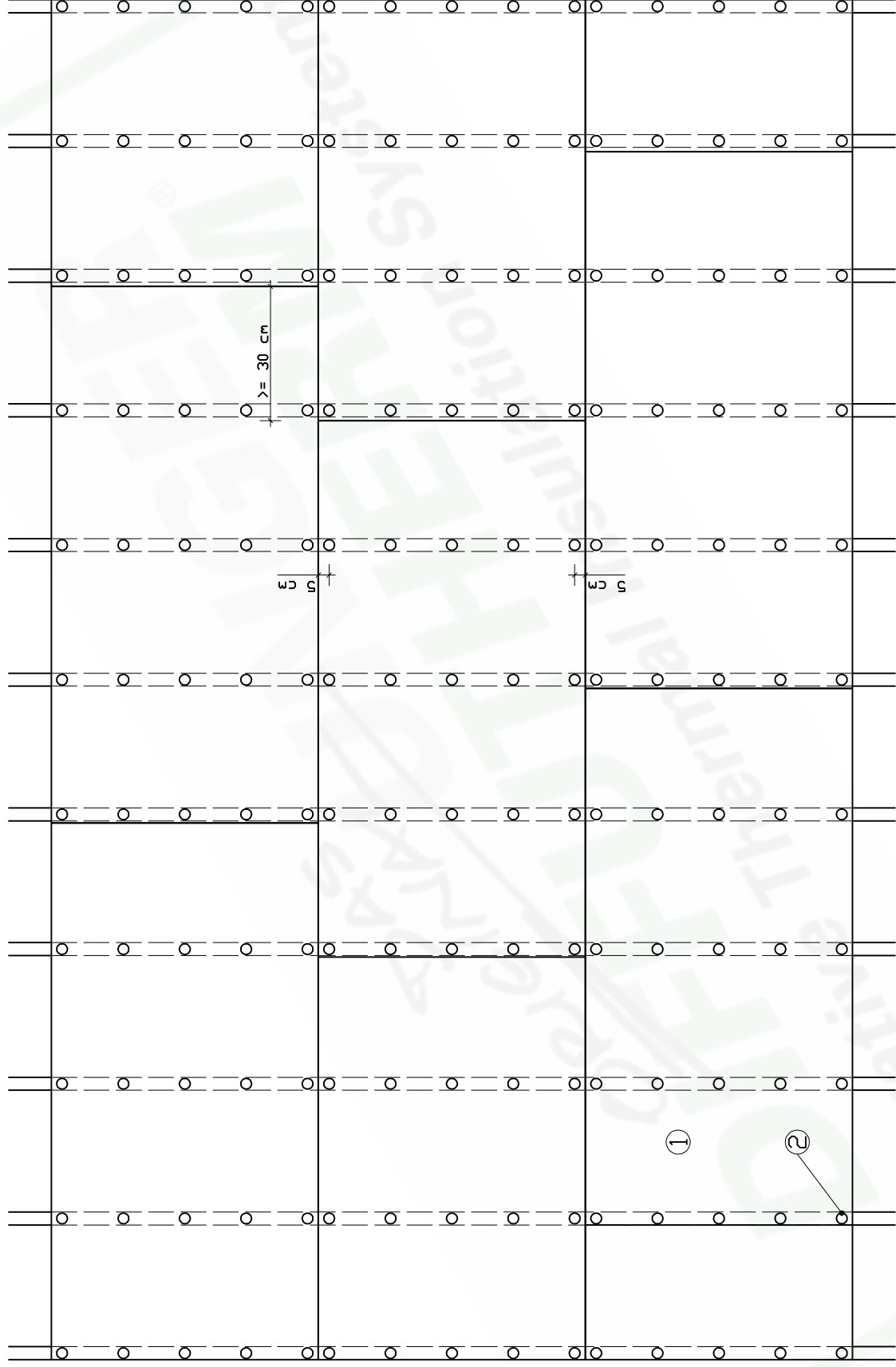
**NR 6.04**





# Fixing spacing's in timber-framed constructions

## - Large format boards -



1 - **UdriUNGER DIFFUTHERM** NF Wood-fibre insulation element (Large format only available in 60mm)

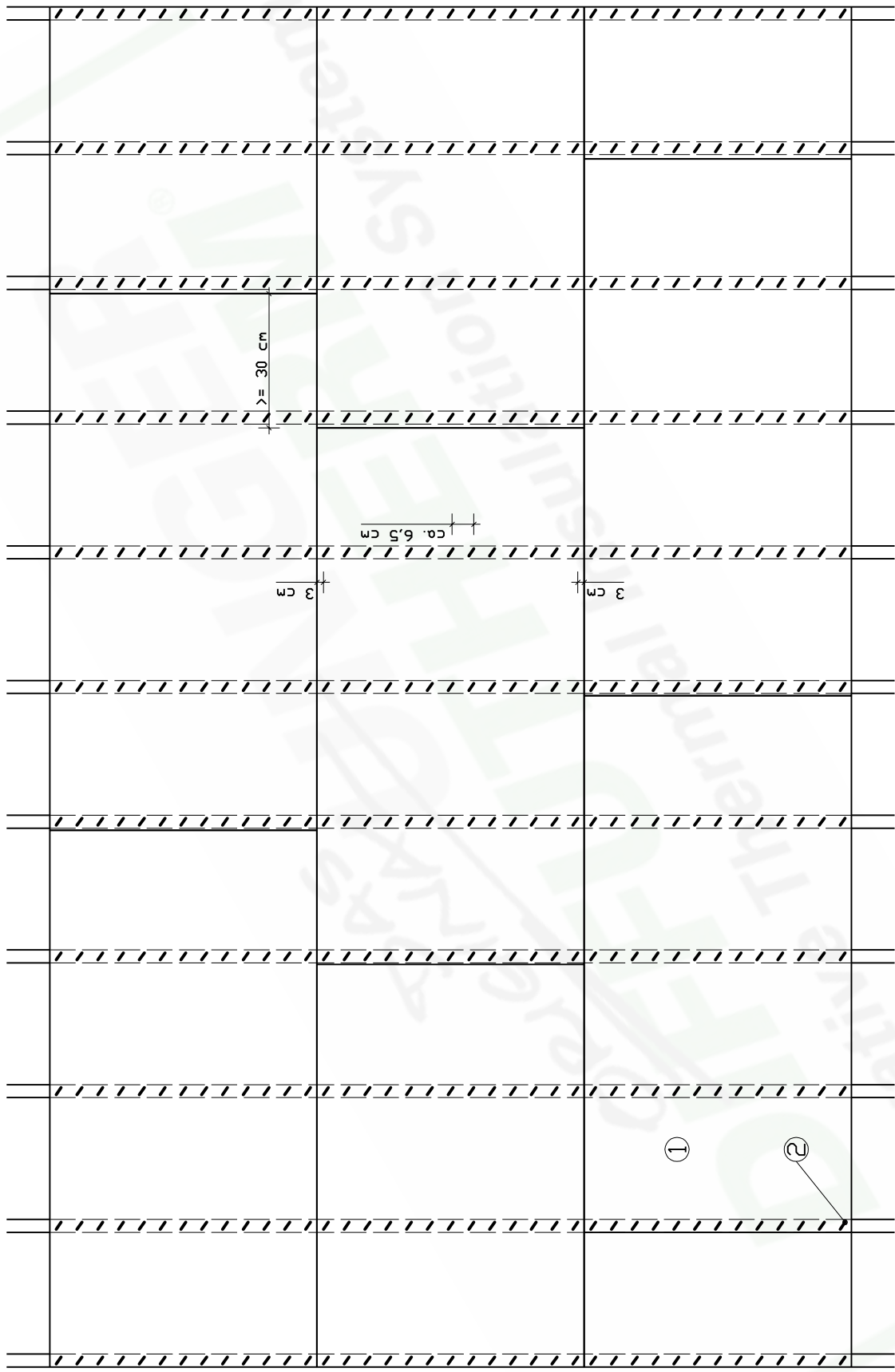
2 - **UdASSEMBLY SDH RECO** Fixing for timber constructions

**Date: 28.08.2009**

The technical information provided in this document reflects our current state of knowledge and experience. We reserve the right to make any changes we deem necessary to improve the product or its application and installation. The information contained within this document supersedes all previously dated documents and the information contained within them is herewith invalid.

**NR 6.05**

# Fixing spacing's in timber-framed constructions - Stapling technique - Large format boards -



NR 6.06

1 - **UdiUNGER DIFFUTHERM** NF Wood-fibre insulation element (Large format only available in 60mm)

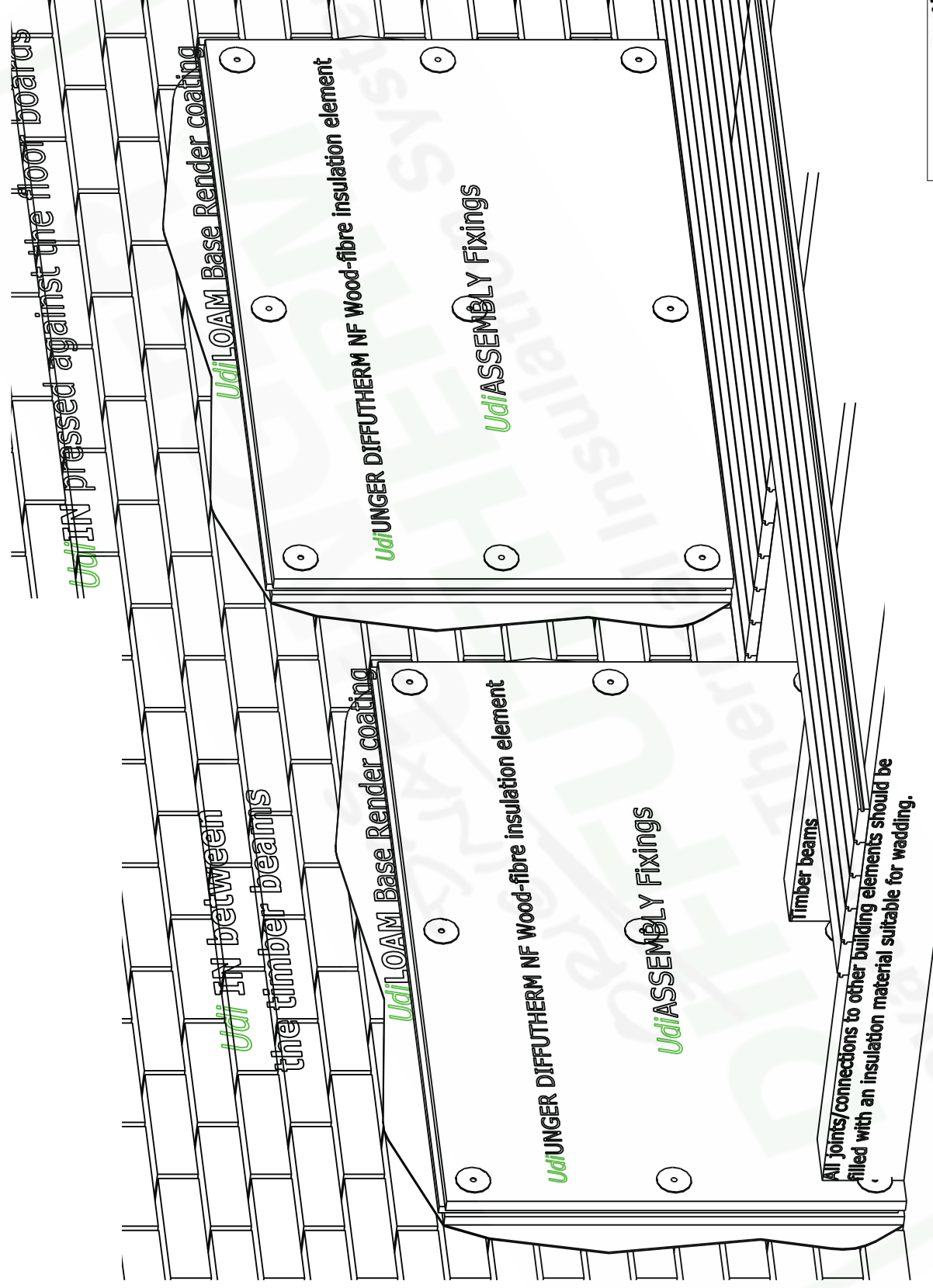
2 - **Udi**ASSEMBLY Staples

**Date: 28.08.2009**

The technical information provided in this document reflects our current state of knowledge and experience. We reserve the right to make any changes we deem necessary to improve the product or its application and installation. The information contained within this document supersedes all previously dated documents and the information contained within them is herewith invalid.



# Board installation - interior walls



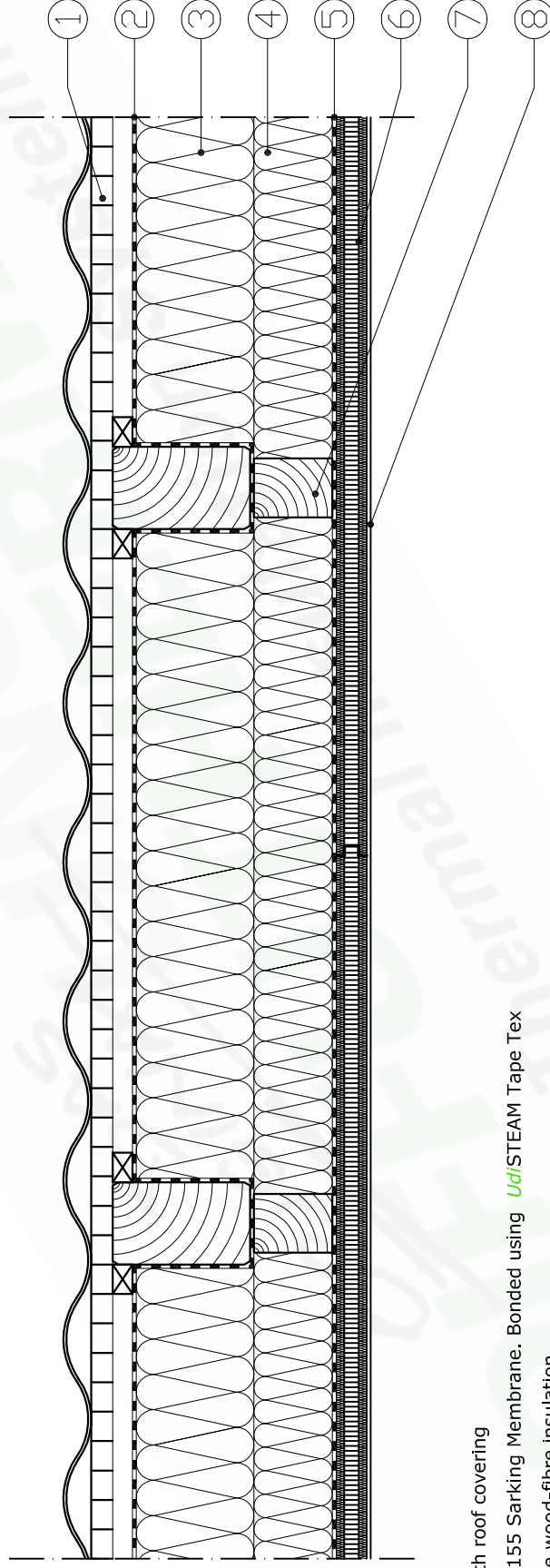
Date: 09.09.2009

The technical information provided in this document reflects our current state of knowledge and experience. We reserve the right to make any changes we deem necessary to improve the product or its application and installation. The information contained within this document supersedes all previously dated documents and the information contained within them is herewith invalid.

NR 7.01



# Interior modernisation - Using *Udi*STEAM Tex -



- 1 - Roof boards with roof covering
- 2 - *Udi*STEAM Tex 155 Sarking Membrane. Bonded using *Udi*STEAM Tape Tex
- 3 - *Udi*/FLEX Flexible wood-fibre insulation
- 4 - *Udi*/FLEX Flexible wood-fibre insulation
- 5 - *Udi*STEAM 3.5 Vapour Barrier Paper. Bonded using *Udi*STEAM Tape Standard
- 6 - *Udi*/CLIMATE. Tongue and groove joints. Bonded using *Udi*/SPECIAL ADHESIVE
- 7 - Additional timber supports for an increased insulation depth
- 8 - *Udi*/FOUNDATION COAT with embedded *Udi*/REINFORCEMENT Strengthening Mesh

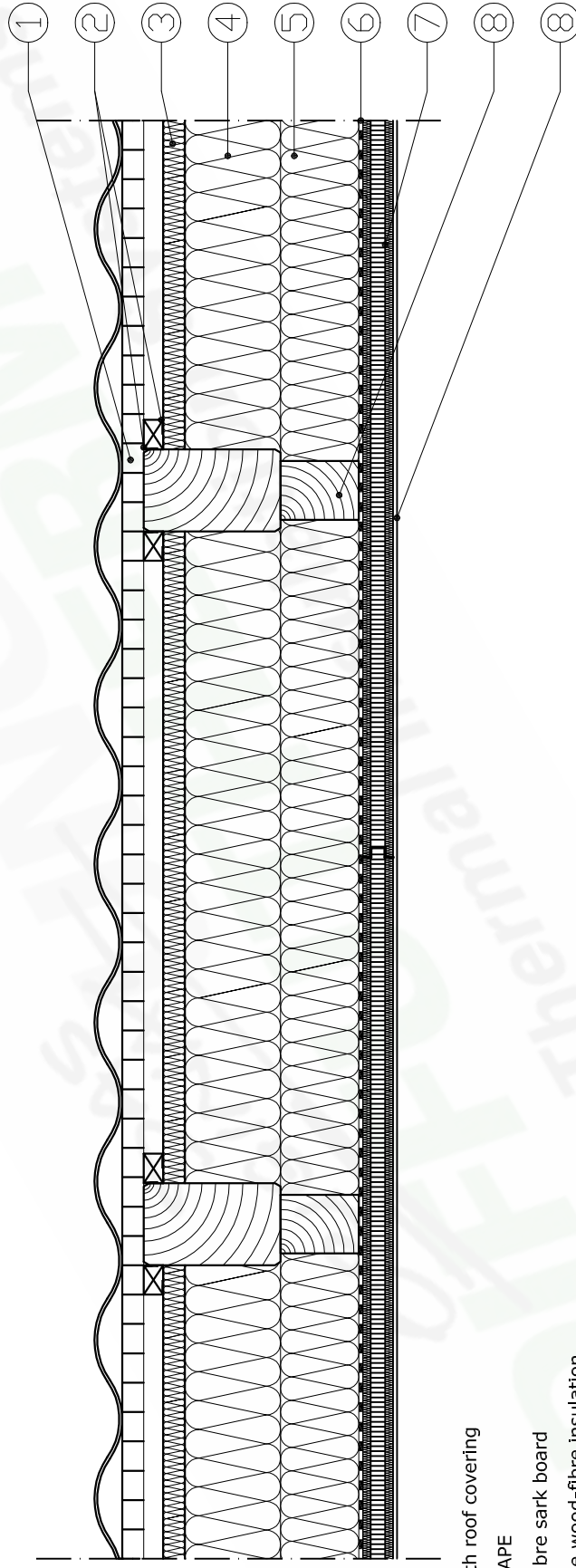
**Date: 09.09.2009**

The technical information provided in this document reflects our current state of knowledge and experience. We reserve the right to make any changes we deem necessary to improve the product or its application and installation. The information contained within this document supersedes all previously dated documents and the information contained within them is herewith invalid.

**NR 8.01**

**ORIGINAL**  
**DAS**  
**DIFFUTHERM®**  
Innovative Thermal Insulation Systems

# Interior modernisation - Using *Udi*TOP -



- 1 - Roof boards with roof covering
- 2 - *Udi* JOINTING TAPE
- 3 - *Udi*TOP wood-fibre sark board
- 4 - *Udi*/FLEX Flexible wood-fibre insulation
- 5 - *Udi*/FLEX Flexible wood-fibre insulation
- 6 - *Udi*/STEAM 3.5 Vapour Barrier Paper. Bonded using *Udi*/STEAM Tape Standard
- 7 - *Udi*/CLIMATE. Tongue and groove joints. Bonded using *Udi*/SPECIAL ADHESIVE
- 8 - Additional timber supports for an increased insulation depth
- 9 - *Udi*/FOUNDATION COAT with embedded *Udi*/REINFORCEMENT Strengthening Mesh

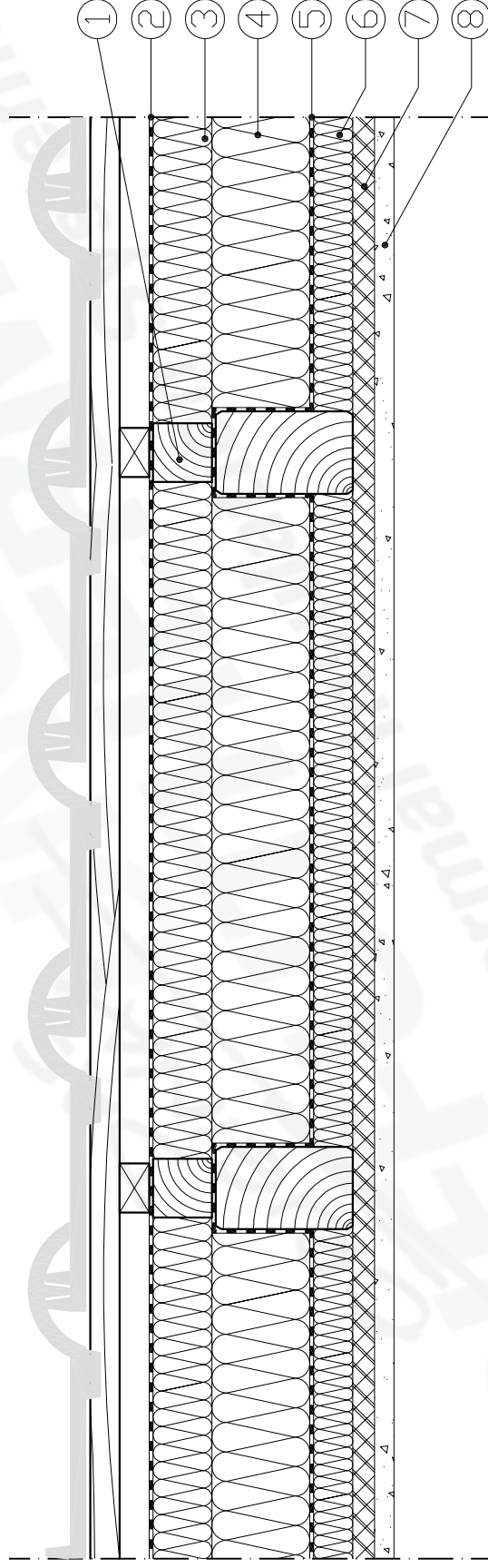
**Date: 09.09.2009**

The technical information provided in this document reflects our current state of knowledge and experience. We reserve the right to make any changes we deem necessary to improve the product or its application and installation. The information contained within this document supersedes all previously dated documents and the information contained within them is herewith invalid.

**NR 8.02**



# Exterior modernisation - Using *Udi*STEAM Tex -



- 1 - Additional timber supports for an increased insulation depth
- 2 - *Udi*STEAM Tex 155 Sarking Membrane. Bonded using *Udi*STEAM Tape Tex
- 3 - *Udi*FLEX Flexible wood-fibre insulation
- 4 - *Udi*FLEX Flexible wood-fibre insulation
- 5 - *Udi*STEAM 10 Plus. Bonded using *Udi*STEAM Tape Elastoflex
- 6 - *Udi*FLEX Flexible wood-fibre insulation
- 7 - E.g. Lightweight wood-wool board
- 8 - E.g. Render/plaster

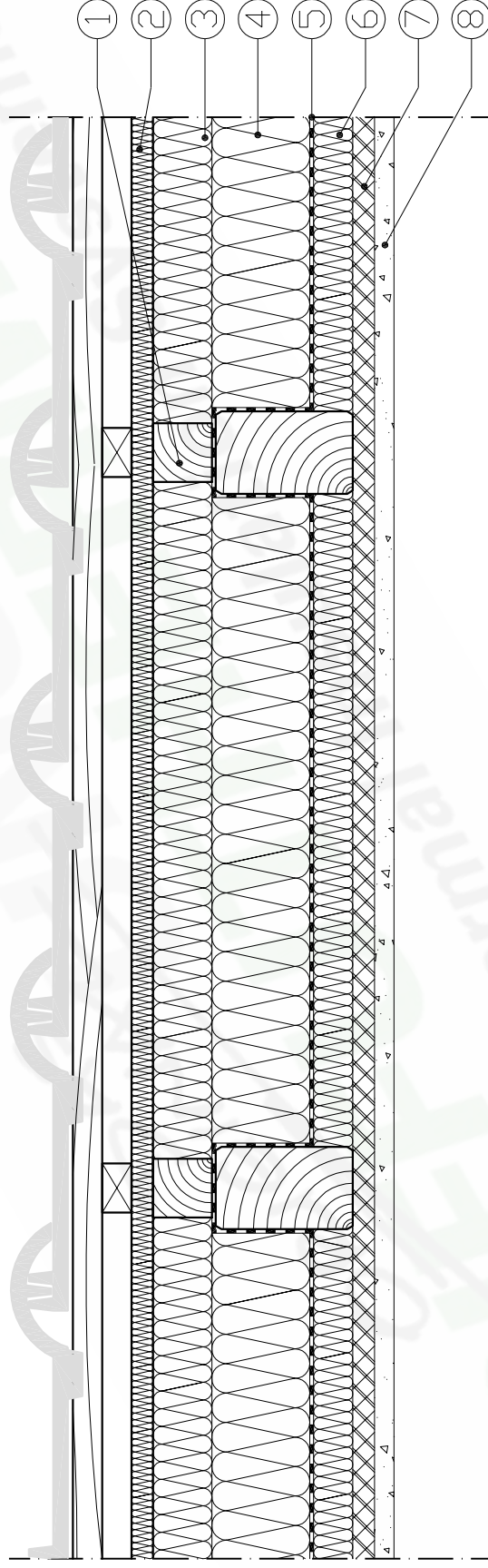
**Date: 09.09.2009**

The technical information provided in this document reflects our current state of knowledge and experience. We reserve the right to make any changes we deem necessary to improve the product or its application and installation. The information contained within this document supersedes all previously dated documents and the information contained within them is herewith invalid.

**NR 8.03**

**DAS ORIGINAL**  
**DIFFUTHERM®**  
Innovative Thermal Insulation Systems

# Exterior modernisation - Using *Udi*TOP -



- 1 - Additional timber supports for an increased insulation depth
- 2 - *Udi*TOP wood-fibre sark board. Flat faced edges. Bonded with *Udi*STEAM Alubuty!
- 3 - *Udi*/FLEX Flexible wood-fibre insulation
- 4 - *Udi*/FLEX Flexible wood-fibre insulation
- 5 - *Udi*STEAM 10 Plus. Bonded using *Udi*STEAM Tape Elastoflex
- 6 - *Udi*/FLEX Flexible wood-fibre insulation
- 7 - E.g. Lightweight wood-fibre board
- 8 - E.g. Render/plaster

**Date: 09.09.2009**

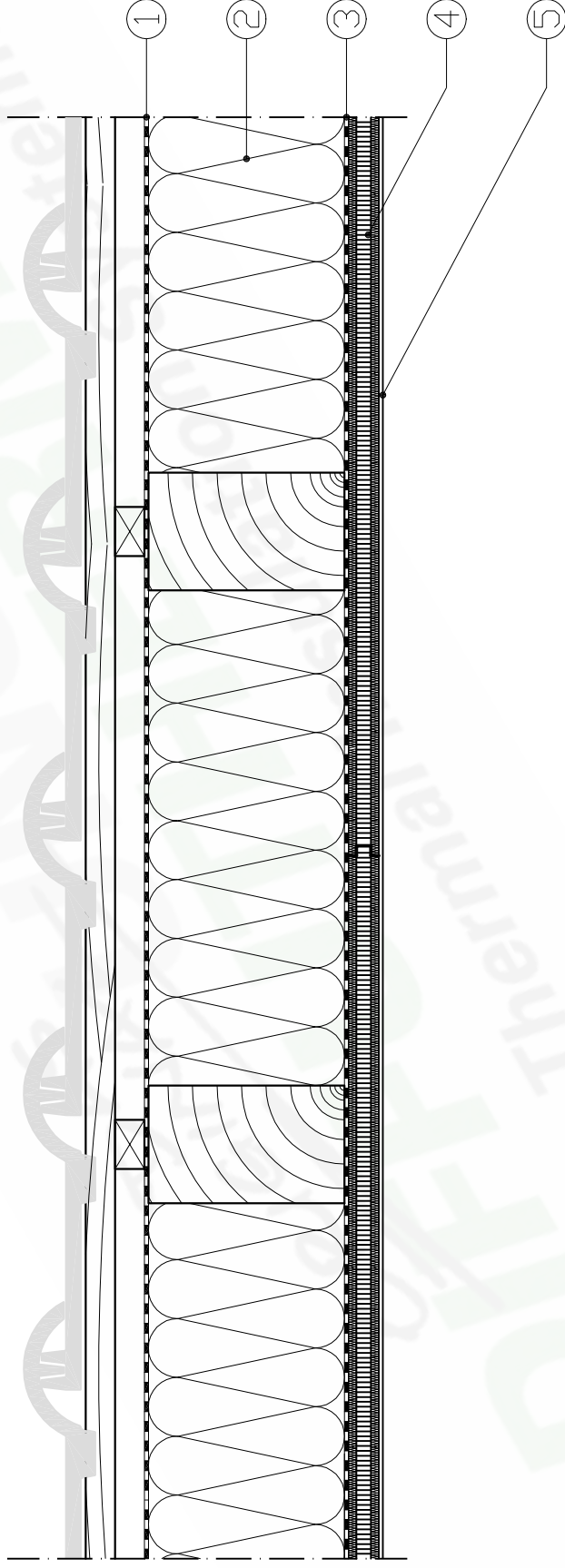
The technical information provided in this document reflects our current state of knowledge and experience. We reserve the right to make any changes we deem necessary to improve the product or its application and installation. The information contained within this document supersedes all previously dated documents and the information contained within them is herewith invalid.

**NR 8.04**

**DAS ORIGINAL**  
**DIFFUTHERM®**  
Innovative Thermal Insulation Systems

# Newly built constructions - Insulation between the rafters

- Using **Udi**STEAM Tex -



- 1 - **Udi**STEAM Tex 155 Sarking Membrane. Bonded using **Udi**STEAM Tape Tex
- 2 - **Udi**FLEX Flexible wood-fibre insulation
- 3 - **Udi**STEAM 3.5 Vapour Barrier Paper. Bonded using **Udi**STEAM Tape Standard
- 4 - **Udi**CLIMATE. Tongue and groove joints. Bonded using **Udi**SPECIAL ADHESIVE
- 5 - **Udi**FOUNDATION COAT with embedded **Udi**REINFORCEMENT Strengthening Mesh

**Date: 09.09.2009**

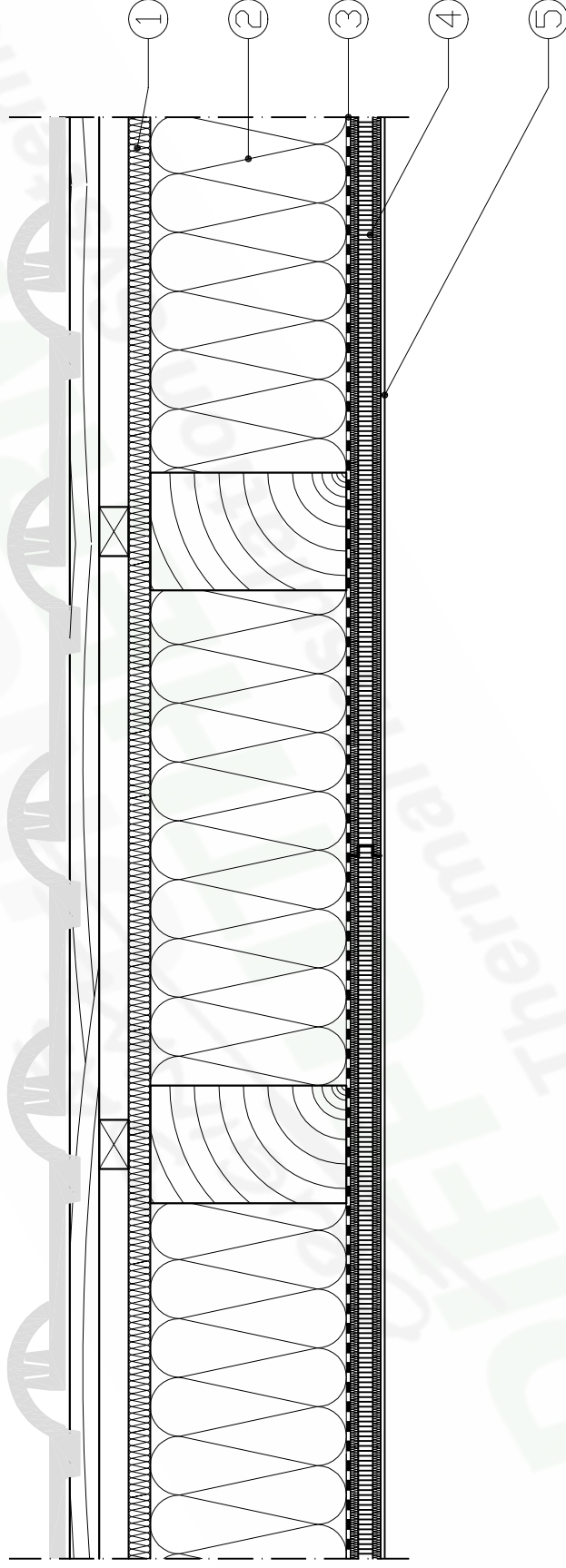
The technical information provided in this document reflects our current state of knowledge and experience. We reserve the right to make any changes we deem necessary to improve the product or its application and installation. The information contained within this document supersedes all previously dated documents and the information contained within them is herewith invalid.

**NR 8.05**

**DAS ORIGINAL**  
**DIFFUTHERM®**  
Innovative Thermal Insulation Systems

# Newly built constructions - Insulation between the rafters

- Using **UdiTOP** -



- 1 - **UdiTOP** wood-fibre sark board. Flat faced edges.  
Bonded with **UdiSTEAM** Alubuty/
- 2 - **UdiFLEX** Flexible wood-fibre insulation
- 3 - **UdiSTEAM** 3.5 Vapour Barrier Paper. Bonded using **UdiSTEAM** Tape Standard
- 4 - **UdiCLIMATE**. Tongue and groove joints. Bonded using **UdiSPECIAL ADHESIVE**
- 5 - **UdiFOUNDATION COAT** with embedded **UdiREINFORCEMENT** Strengthening Mesh

**Date: 09.09.2009**

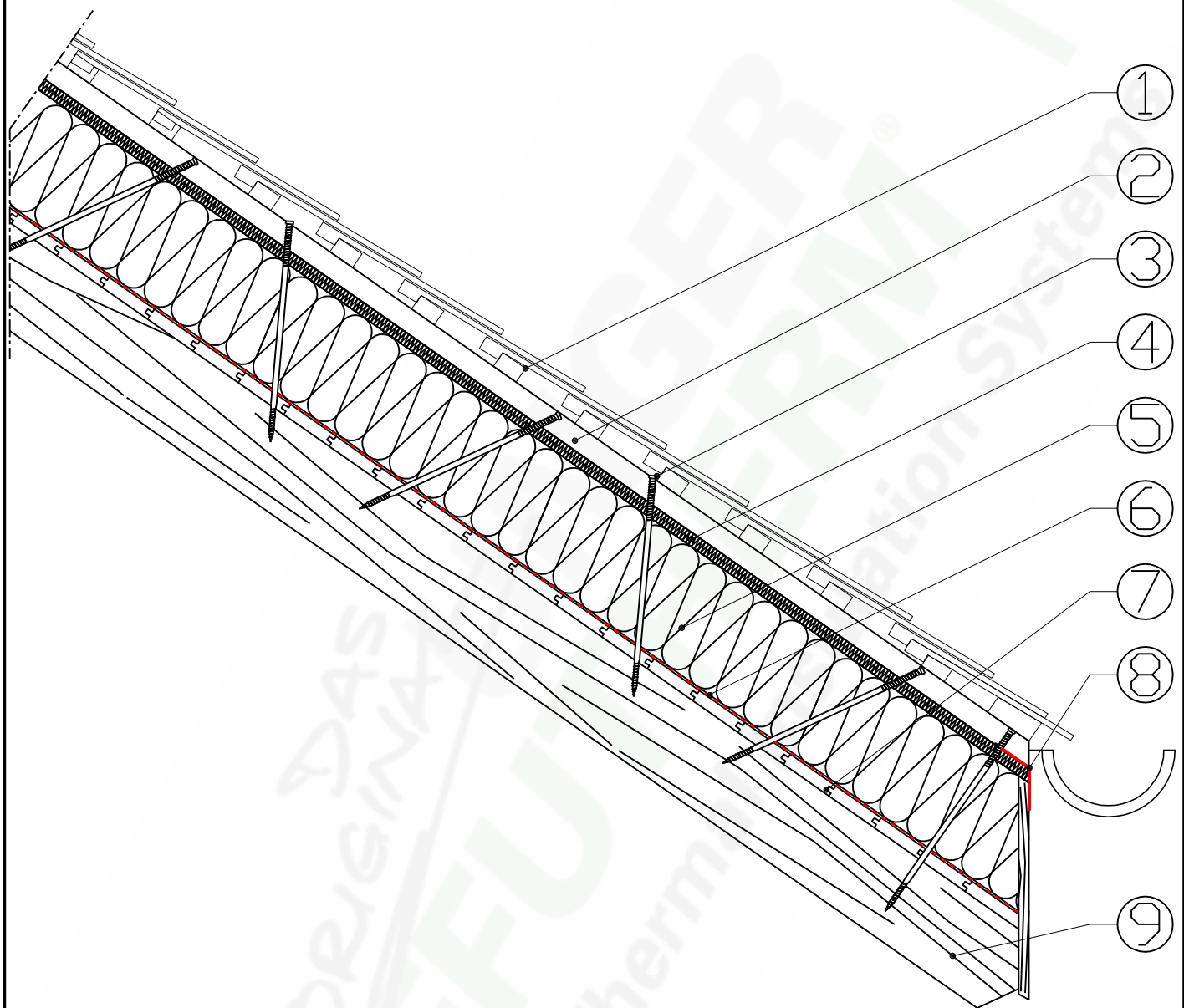
The technical information provided in this document reflects our current state of knowledge and experience. We reserve the right to make any changes we deem necessary to improve the product or its application and installation. The information contained within this document supersedes all previously dated documents and the information contained within them is herewith invalid.

**NR 8.006**





# Insulating on top of the rafters - Using *Udi*TOP -



- 1 - Battens and roof boards
- 2 - Counter battens
- 3 - Fixings according to the structural requirements of the building
- 4 - *Udi*TOP wood-fibre sark board. Flat faced edges. Bonded with *Udi*STEAM Alubutyl
- 5 - *Udi*FLEX Flexible wood-fibre insulation
- 6 - *Udi*STEAM 10 Plus moisture-variable vapour barrier. Bonded using *Udi*STEAM Tape Elastoflex
- 7 - Roof covering
- 8 - Sealing using *Udi*STEAM Alubutyl
- 9 - Rafters

**Date: 09.09.2009**

The technical information provided in this document reflects our current state of knowledge and experience. We reserve the right to make any changes we deem necessary to improve the product or its application and installation. The information contained within this document supersedes all previously dated documents and the information contained within them is herewith invalid.