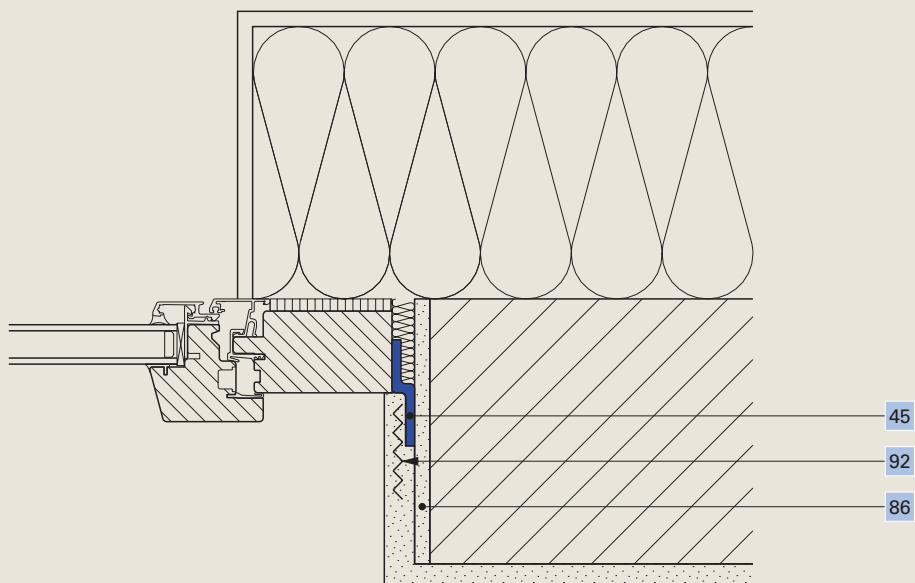


Air tightness, window installation, reveal

Use of special tapes, masonry construction

LF 011 2008 Europe



- | | |
|----|---|
| 45 | Adhesive tape Ampacoll® F |
| 86 | Smooth finish before fitting window |
| 92 | Support for plaster (e.g. expanded metal) |