

# CLIMA CONTROL 80

## MEMBRANE WITH VARIABLE VAPOUR DIFFUSION

### VARIABLE DIFFUSION

Variable resistance to vapour diffusion: maximum protection for walls and excellent security in insulation.

### TRANSPARENCY

Easy to install thanks to its transparent quality; controls the passage of water vapour based on climate and humidity.


### SCIENTIFICALLY TESTED

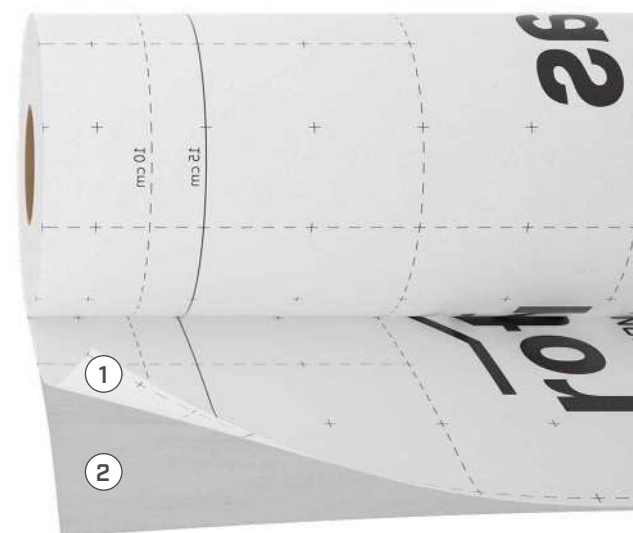
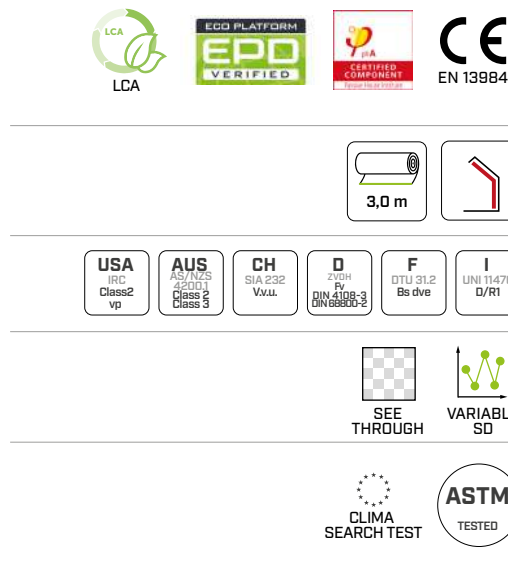
The product has been researched and tested by external scientific bodies who have also simulated its behaviour in real conditions.

## COMPOSITION

- ① top layer: PA functional film
- ② bottom layer: non-woven PP fabric

## CODES AND DIMENSIONS

CODE	description	tape	H [m]	L [m]	A [m <sup>2</sup> ]	H [ft]	L [ft]	A [ft <sup>2</sup> ]	
CLIMA80	CLIMA CONTROL 80	-	1,5	50	75	5	164	807	81
CLIMA8030	CLIMA CONTROL 80	-	3	50	150	10	164	1615	81



### EASY INSTALLATION

Ideal for installation directly on the substructure (struts or joists), thanks to its slight transparency.

### RETROFIT

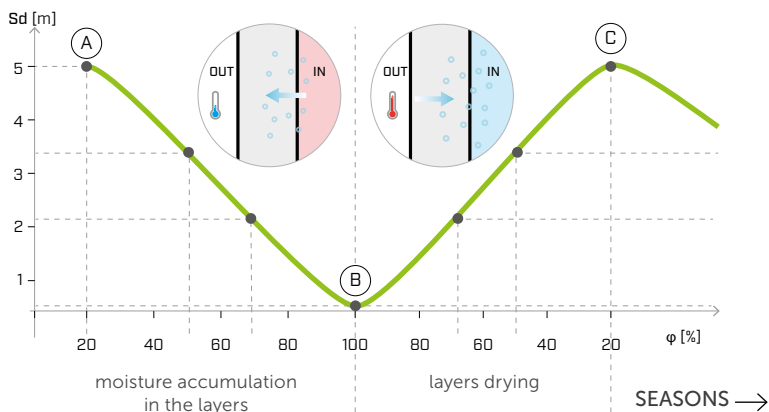
Thanks to its ability to adapt vapour diffusion according to the hygrometric conditions of the materials it comes into contact with, it is ideal for energy refurbishment of existing buildings.

## TECHNICAL DATA

Properties	standard	value	USC units
Mass per unit area	EN 1849-2	80 g/m <sup>2</sup>	0.26 oz/ft <sup>2</sup>
Thickness	EN 1849-2	0,22 mm	9 mil
Variable water vapour transmission (Sd)	EN 1931/EN ISO 12572	0,15/5 m	23/0.7 US Perm
Tensile strength MD/CD	EN 12311-2	> 120/90 N/50 mm	> 14/10 lbf/in
Elongation MD/CD	EN 12311-2	50/50 %	-
Resistance to nail tearing MD/CD	EN 12310-1	> 40/40 N	> 9/9 lbf
Watertightness	EN 1928	compliant	-
Water vapour resistance:			
- after artificial ageing	EN 1296/EN 1931	compliant	-
- in the presence of alkalis	EN 1847/EN 12311-2	npd	-
Reaction to fire	EN 13501-1	class E	-
Resistance to penetration of air	EN 12114	< 0,02 m <sup>3</sup> /(m <sup>2</sup> h50Pa)	< 0 cfm/ft <sup>2</sup> at 50Pa
Resistance to temperature	-	-20/80 °C	-4/176 °F
Indirect exposure to UV rays	-	2 weeks	-
Thermal conductivity (λ)	-	0,2 W/(m·K)	0.12 BTU/h·ft·°F
Specific heat	-	1700 J/(kg·K)	-
Density	-	approx. 400 kg/m <sup>3</sup>	approx. 25 lbm/ft <sup>3</sup>
Variable water vapour resistance factor (μ)	-	approx. 1000/25000	approx. 0,75/25 MNs/g
VOC	-	0 %	-

Waste classification (2014/955/EU): 17 02 03.

USA and CA Properties	standard	value
Water vapour transmission (dry cup)	ASTM E96/ E96M	1.86/10.6 US Perm 106/605 ng/(s·m <sup>2</sup> ·Pa)
Water vapour transmission (wet cup)	ASTM E96/ E96M	1.86/10.6 US Perm 106/605 ng/(s·m <sup>2</sup> ·Pa)
Vapour barrier	ASTM E 2178-13	compliant < 0.02 L/(sm <sup>2</sup> ) at 75Pa



- (A) DRY LAYERS: Sd 5 m**  
maximum protection - vapour control layer to limit the passage of vapour in view of the season when moisture accumulates within the layers
- (B) HUMID LAYERS: Sd 0,15 m**  
maximum breathability - breathable membrane to allow drying during the reverse steam diffusion phenomenon
- (C) DRY LAYERS: Sd 5 m**  
maximum protection for the start of a new year and a new cycle



## HYGROMETRIC PROPERTIES

The special PA film gives the product the ability to adapt to the hygrometric conditions of the building. If the membrane comes into contact with high humidity levels, it transforms from a vapour barrier into a breathable product, guaranteeing that the structure remains dry.